

Item description/product images

**Description****Material:**

Body steel.

Cam levers cast aluminium.

Version:

Body black oxidised.

T-nut electro zinc-plated.

Cam levers black powder coated.

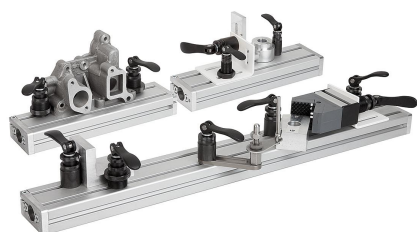
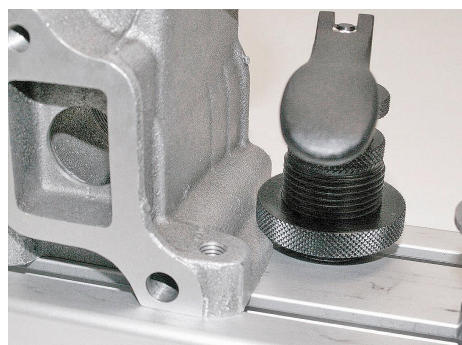
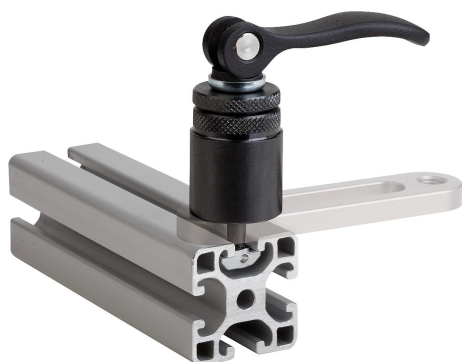
Note:

The clamp module is inserted into the T-slot from above and secured using the cam lever, no other tools required.

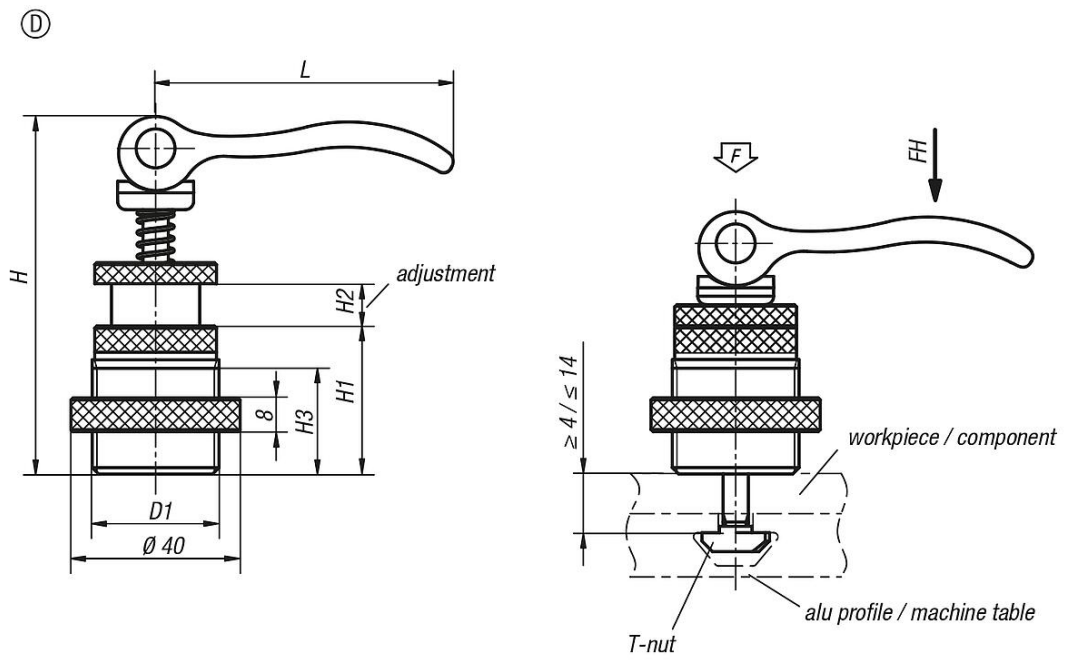
Advantages:

The eccentric clamp modules can be used on conventional aluminium profile systems or on T-slot tables as stops, fasteners or clamps for components and workpieces.

Item description/product images



Drawings



Overview of items

Order No.	Form	D	D1	D2	H	H1	H2	H3	L	suitable for slot width	Clamping force F (kN)	Hand force FH N
10500-31301008	D	-	M30x2	40	84,6	35	10	25	70,4	8	4	120