

Item description/product images



Description

Material:

Housing, steel.
Magnetic core, SmCo.

Version:

Housing, electro zinc-plated.

Note:

Shallow pot magnets, shielded system. Magnets with an SmCo core have three to five times the attracting force of AlNiCo or hard ferrite magnets.

Temperature range:

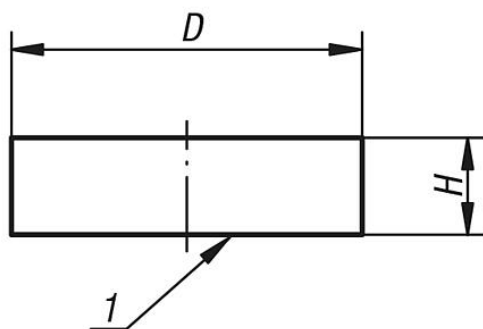
max. 200°C.

Drawing reference:

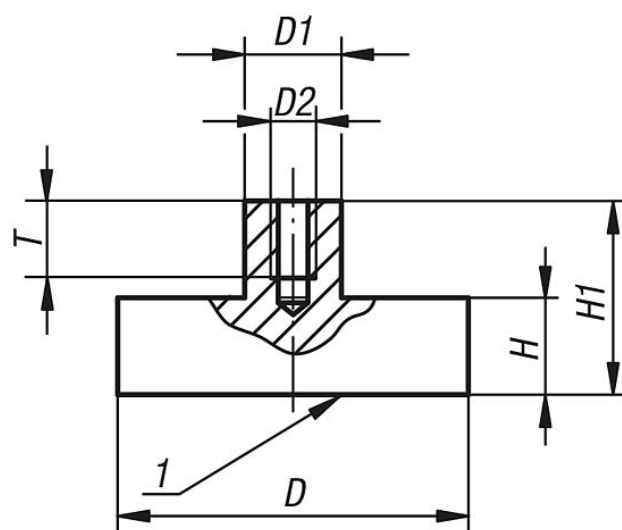
1) magnetic face

Drawings

Ⓐ



Ⓑ



Overview of items

Order No. Form A	Order No. Form B	D	D1	D2	H	H1	T	Magnetic force N
09066-01	09066-11	6 ±0,15	-/6	-/M3	4,5	-/11,5	-/6	5
09066-02	09066-12	8 ±0,15	-/6	-/M3	4,5	-/11,5	-/6	11
09066-03	09066-13	10 ±0,15	-/6	-/M3	4,5	-/11,5	-/6	20
09066-04	09066-14	13 ±0,15	-/6	-/M3	4,5	-/11,5	-/6	40
09066-05	09066-15	16 ±0,15	-/6	-/M4	4,5	-/11,5	-/6	60
09066-06	09066-16	20 ±0,15	-/8	-/M4	6	-/13	-/7,5	90
09066-07	09066-17	25 ±0,15	-/8	-/M4	7	-/14	-/7,5	150
09066-08	09066-18	32 ±0,20	-/10	-/M5	7	-/15,5	-/8,5	220

