

Item description/product images



Description

Material:

Housing, steel.
Magnetic core NdFeB.

Version:

Housing, electro zinc-plated.

Note:

Shielded system. With the permanent magnetic material NdFeB the attractive force increases by ca. 10-20 % compared with SmCo.

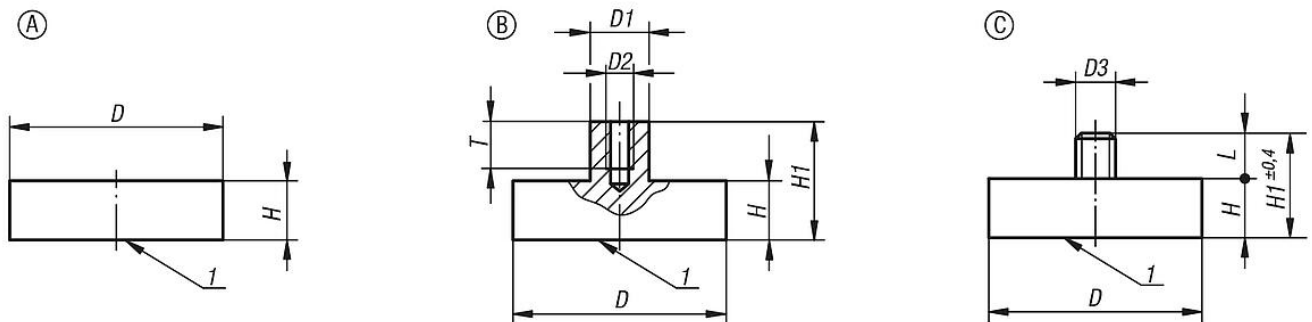
Temperature range:

max. 80°C.

Drawing reference:

1) magnetic face

Drawings



Overview of items

| Order No. | Form | D | D1 | D2 | D3 | H | H1 | L | T | Magnetic force N |
|-----------|------|----------|----|----|----|-----|------|----|----|------------------|
| 09069-01 | A | 6 ±0,15 | - | - | - | 4,5 | - | - | - | 5 |
| 09069-02 | A | 8 ±0,15 | - | - | - | 4,5 | - | - | - | 13 |
| 09069-03 | A | 10 ±0,15 | - | - | - | 4,5 | - | - | - | 25 |
| 09069-04 | A | 13 ±0,15 | - | - | - | 4,5 | - | - | - | 60 |
| 09069-05 | A | 16 ±0,15 | - | - | - | 4,5 | - | - | - | 95 |
| 09069-06 | A | 20 ±0,15 | - | - | - | 6 | - | - | - | 140 |
| 09069-07 | A | 25 ±0,15 | - | - | - | 7 | - | - | - | 200 |
| 09069-08 | A | 32 ±0,20 | - | - | - | 7 | - | - | - | 350 |
| 09069-11 | B | 6 ±0,15 | 6 | M3 | - | 4,5 | 11,5 | - | 6 | 5 |
| 09069-12 | B | 8 ±0,15 | 6 | M3 | - | 4,5 | 11,5 | - | 7 | 13 |
| 09069-13 | B | 10 ±0,15 | 6 | M3 | - | 4,5 | 11,5 | - | 7 | 25 |
| 09069-14 | B | 13 ±0,15 | 6 | M3 | - | 4,5 | 11,5 | - | 6 | 60 |
| 09069-15 | B | 16 ±0,15 | 6 | M4 | - | 4,5 | 11,5 | - | 7 | 95 |
| 09069-16 | B | 20 ±0,15 | 8 | M4 | - | 6 | 13 | - | 9 | 140 |
| 09069-17 | B | 25 ±0,15 | 8 | M4 | - | 7 | 14 | - | 9 | 200 |
| 09069-18 | B | 32 ±0,20 | 10 | M5 | - | 7 | 15,5 | - | 10 | 350 |
| 09069-19 | B | 40 ±0,2 | 10 | M6 | - | 8 | 18 | - | 13 | 670 |
| 09069-20 | B | 47 ±0,2 | 12 | M6 | - | 9,2 | 20,5 | - | 13 | 750 |
| 09069-21 | B | 50 ±0,2 | 15 | M8 | - | 10 | 22 | - | 13 | 1000 |
| 09069-23 | C | 10 ±0,15 | - | - | M3 | 4,5 | 11,5 | 7 | - | 25 |
| 09069-24 | C | 13 ±0,15 | - | - | M5 | 4,5 | 12,5 | 8 | - | 60 |
| 09069-25 | C | 16 ±0,15 | - | - | M6 | 4,5 | 12,5 | 8 | - | 95 |
| 09069-26 | C | 20 ±0,15 | - | - | M6 | 6 | 16 | 10 | - | 140 |

Overview of items

| Order No. | Form | D | D1 | D2 | D3 | H | H1 | L | T | Magnetic force N |
|-----------|------|----------|----|----|----|-----|------|----|---|------------------|
| 09069-27 | C | 25 ±0,15 | - | - | M6 | 7 | 17 | 10 | - | 200 |
| 09069-28 | C | 32 ±0,20 | - | - | M6 | 7 | 17 | 10 | - | 350 |
| 09069-29 | C | 40 ±0,2 | - | - | M8 | 8 | 20 | 12 | - | 670 |
| 09069-30 | C | 47 ±0,2 | - | - | M8 | 9,2 | 22,2 | 13 | - | 790 |