

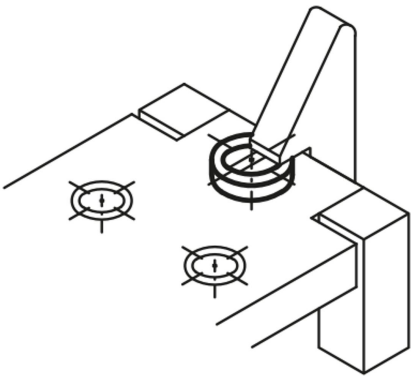
Item description/product images



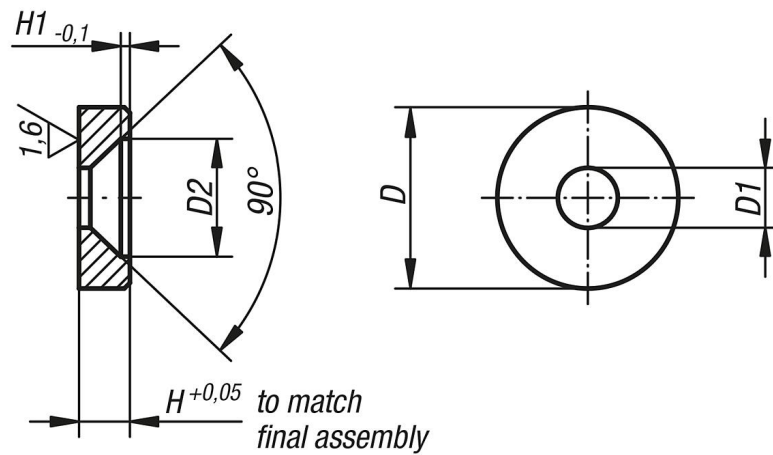
Description

Material:
Steel.

Version:
Carbonitrided and annealed, black oxidised. Lower part fine turned



Drawings



Overview of items

Order No.	D	D1	D2	H	H1
08180-01	12	4,3	8,3	2,5	0,4
08180-02	16	5,3	10,4	4,5	0,8

