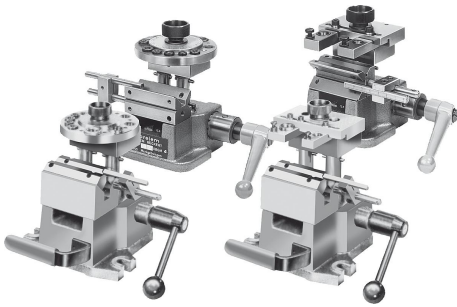


Item description/product images

**Description****Version:**

A consisting of:

- 08550 drilling jig DIN 6348
- 08710 V-block with stop
- 08640 Index drilling disc with 16 common drill bush diameters, see table. Intermediate sizes can be partially achieved using DIN 173 push-in drill bushes.

B consisting of:

- 08550 drilling jig DIN 6348
- 08710 V-block with stop
- 08650 drill bush holder plate with 4 bush holders size 5-8, Ø 8, Ø 10, Ø 12 and Ø 15. Intermediate sizes can be partially achieved using DIN 173 push-in drill bushes. See table for choice of drill bush holders sizes 1 to 4. All drill bush holders can be used for holder plates size 0 and 2.

Note:

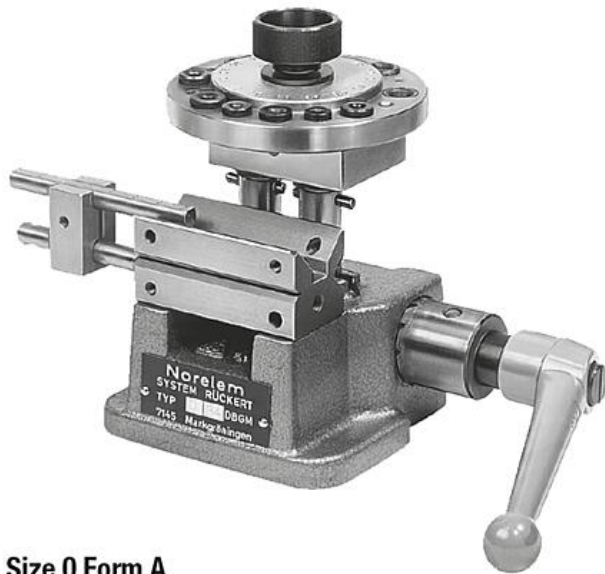
Drilling jigs for cylindrical parts are particularly rational for producing transverse holes in round bars. The drilling jigs DIN 6348 size 0 and 2 are used as the basic elements.

A V-block with adjustable stop with mm divisions and nonius is used in place of the standard support plate. The index drilling discs or drilling bush holders are mounted on the columns. Set-up is very easy and can be done without special technical knowledge.

All parts can be individually supplied at a later date. They are produced true to gauge enabling Forms A and B to be interchangeable. A clamped part can be drilled, reamed, counterbored and tapped using push-in bushes.

Drawings

Size 0
for workpieces \varnothing 2 to 28 mm



Size 0 Form A
with V-block and index drilling disc

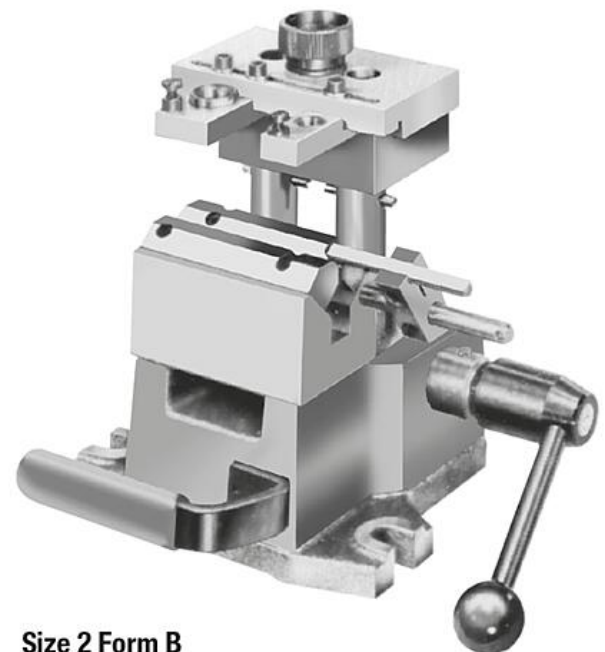


Size 0 Form B
with V-block and bush holders,
adjustment range of holders: 64 mm

Size 2
for workpieces \varnothing 6 to 60 mm



Size 2 Form A
with V-block and index drilling disc



Size 2 Form B
with V-block and bush holders,
adjustment range of holders: 100 mm

Insert a \varnothing 10 mm shaft to align the upper
prism rail then tighten the cap screws

Overview of items

Order No.	Size	Form
08630-10	0	A
08630-20	0	B
08630-22	2	B