

## Item description/product images



## Description

**Material:**

Hex nut and washer carbon steel.  
Retaining ring PA 6 black.

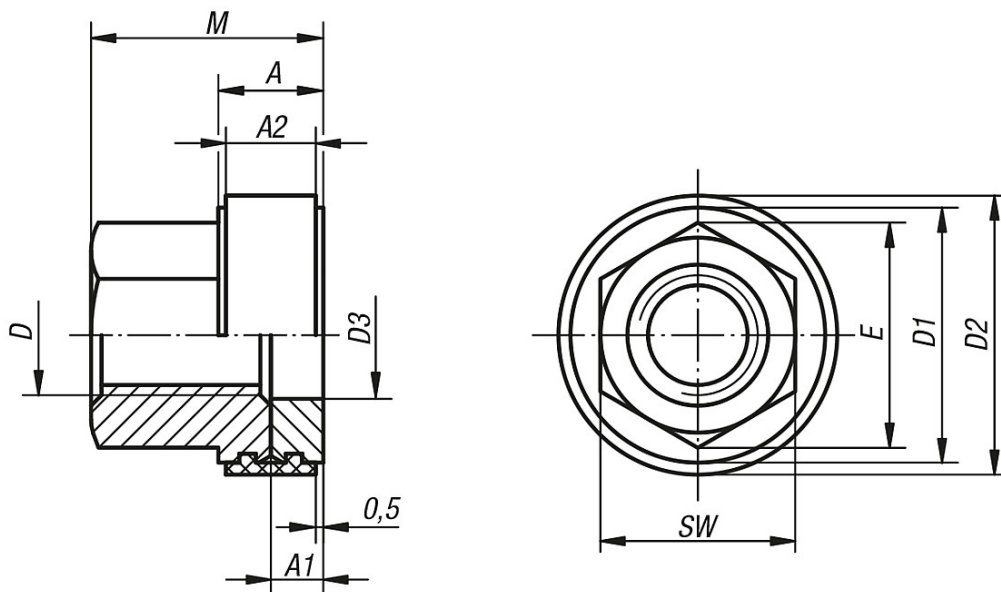
**Version:**

Hexagonal nut and washer tempered, black oxidised.  
Hexagonal nut grade 10.

**Advantages:**

- A compact unit.
- The washer is permanently attached to the hexagonal nut by a retaining ring.
- Components such as expensive special claw clamps, clamping disks, flanges etc. are protected by the hex nut with washer. The reduced wear leads to cost advantages.
- Other cost advantages in procurement - a single ordering process where previously two were required.

## Drawings



## Overview of items

Order No.	D	M	A	A1	A2	D1	D2	D3	E	SW
07242-08	M8	15,5	7	3,5	6	17	18,6	8,5	15	13
07242-10	M10	19	8	4	7	21	22,7	10,5	18,5	16
07242-12	M12	22	8	4	7	24	25,7	12,5	20,8	18
07242-16	M16	29	10	5	9	30	32	16,5	27,7	24
07242-20	M20	36	12	6	11	36	38	20,5	34,6	30
07242-24	M24	42	12	6	11	44	46	24,5	41,6	36