

## Item description/product images



## Description

**Material:**

Steel or 1.4305 stainless steel.

**Version:**

Steel case hardened, electro zinc-plated.

Stainless steel bright.

**Note:**

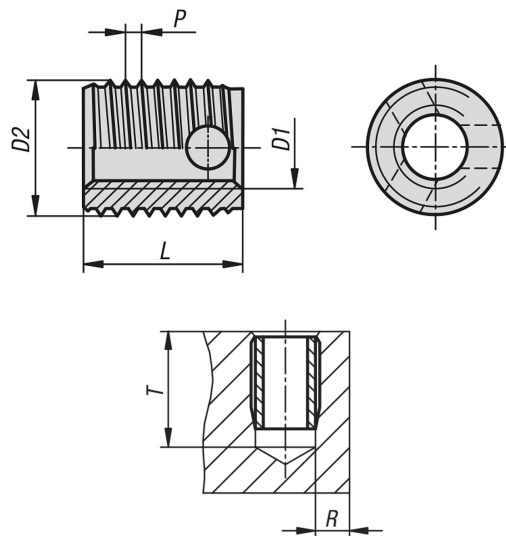
Self-tapping threaded inserts for making high-strength, wear-free, vibration resistant screw connections in materials with low shear strength such as aluminium and aluminium alloys, brass, bronze, cast iron, duro and thermoplastics.

The threaded inserts are tapered at the bottom and have three cutting bores. They cut their own threads inside a receiver hole. This guarantees a completely secure and firm anchoring in the host material.

Internal thread D1 acc. to ISO 6H.

The threaded inserts with cutting bores are designed especially for materials difficult to machine. Due to the thicker wall, it can withstand greater force during cutting, which is also distributed over three cutting bores.

## Drawings



## Overview of items

Order No.	Main material	D1 internal thread	D2	L length	P	T min.	R min. light metal	R min. cast iron	R min. plastics	Order No. Hand ass. tool	Order No. M/C ass. tool
07653-03	steel	M3	5	4	0,6	6	1	1,5	1,25	07652-803	07652-903
07653-04	steel	M4	6,5	6	0,8	8	1,3	1,95	1,6	07652-804	07652-904
07653-05	steel	M5	8	7	1	9	1,6	2,4	2	07652-805	07652-905
07653-06	steel	M6	10	8	1,25	10	2	3	2,5	07652-806	07652-906
07653-08	steel	M8	12	9	1,5	11	2,4	3,6	3	07652-808	07652-908
07653-10	steel	M10	14	10	1,5	13	2,8	4,2	3,5	07652-810	07652-910
07653-12	steel	M12	16	12	1,75	15	3,2	4,8	4	07652-812	07652-912
07653-103	stainless steel	M3	5	4	0,6	6	1	1,5	1,25	07652-803	07652-903

## Overview of items

Order No.	Main material	D1 internal thread	D2	L length	P	T min.	R min. light metal	R min. cast iron	R min. plastics	Order No. Hand ass. tool	Order No. M/C ass. tool
07653-104	stainless steel	M4	6,5	6	0,8	8	1,3	1,95	1,6	07652-804	07652-904
07653-105	stainless steel	M5	8	7	1	9	1,6	2,4	2	07652-805	07652-905
07653-106	stainless steel	M6	10	8	1,25	10	2	3	2,5	07652-806	07652-906
07653-108	stainless steel	M8	12	9	1,5	11	2,4	3,6	3	07652-808	07652-908
07653-110	stainless steel	M10	14	10	1,5	13	2,8	4,2	3,5	07652-810	07652-910
07653-112	stainless steel	M12	16	12	1,75	15	3,2	4,8	4	07652-812	07652-912