

Item description/product images



Description

Material:

1.1141 steel, 1.4301 stainless steel or 1.4401 stainless steel.

Version:

drop forged.

Note:

For high demand hoisting and carrying tasks in safety-relevant areas (machine construction, load handling equipment, lifting tackle).

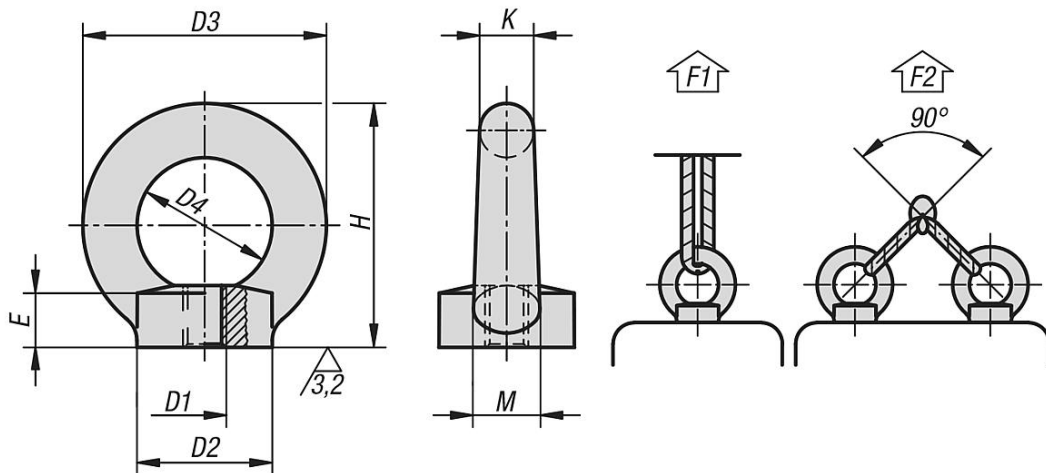
The CE mark is impressed into the ring bolt.

F2 permissible load under max. 45° per ring bolt.

On request:

Certificate of conformity.

Drawings



Overview of items

Order No.	Main material	Surface finish body	Steel code	D1	D2	D3	D4	E	H	K	M	F1 max. kN	F2 max. kN
07690-08	steel	bright	1.1141	M8	20	36	20	8,5	36	8	10	1,4	0,95
07690-10	steel	bright	1.1141	M10	25	45	25	10	45	10	12	2,3	1,7
07690-12	steel	bright	1.1141	M12	30	54	30	11	53	12	14	3,4	2,4
07690-16	steel	bright	1.1141	M16	35	63	35	13	62	14	16	7	5
07690-20	steel	bright	1.1141	M20	40	72	40	16	71	16	19	12	8,3
07690-24	steel	bright	1.1141	M24	50	90	50	20	90	20	24	18	12,7
07690-008	steel	galvanised	1.1141	M8	20	36	20	8,5	36	8	10	1,4	0,95
07690-010	steel	galvanised	1.1141	M10	25	45	25	10	45	10	12	2,3	1,7
07690-012	steel	galvanised	1.1141	M12	30	54	30	11	53	12	14	3,4	2,4
07690-016	steel	galvanised	1.1141	M16	35	63	35	13	62	14	16	7	5
07690-020	steel	galvanised	1.1141	M20	40	72	40	16	71	16	19	12	8,3
07690-024	steel	galvanised	1.1141	M24	50	90	50	20	90	20	24	18	12,7
07690-108	stainless steel	-	1.4301	M8	20	36	20	8,5	36	8	10	1,4	0,95
07690-110	stainless steel	-	1.4301	M10	25	45	25	10	45	10	12	2,3	1,7
07690-112	stainless steel	-	1.4301	M12	30	54	30	11	53	12	14	3,4	2,4
07690-116	stainless steel	-	1.4301	M16	35	63	35	13	62	14	16	7	5
07690-120	stainless steel	-	1.4301	M20	40	72	40	16	71	16	19	12	8,3
07690-124	stainless steel	-	1.4301	M24	50	90	50	20	90	20	24	18	12,7
07690-208	stainless steel	-	1.4401	M8	20	36	20	8,5	36	8	10	1,4	0,95
07690-210	stainless steel	-	1.4401	M10	25	45	25	10	45	10	12	2,3	1,7

Overview of items

Order No.	Main material	Surface finish body	Steel code	D1	D2	D3	D4	E	H	K	M	F1 max. kN	F2 max. kN
07690-212	stainless steel	-	1.4401	M12	30	54	30	11	53	12	14	3,4	2,4
07690-216	stainless steel	-	1.4401	M16	35	63	35	13	62	14	16	7	5
07690-220	stainless steel	-	1.4401	M20	40	72	40	16	71	16	19	12	8,3
07690-224	stainless steel	-	1.4401	M24	50	90	50	20	90	20	24	18	12,7