

Item description/product images

**Description****Material:**

Ring 1.6541 steel.
Screw steel.

Version:

Ring forged and high tensile tempered.
100% electromagnetic crack tested per EN 1677-1, 4x safety factor.
Plastic-coated.
Thread grade 10.9.

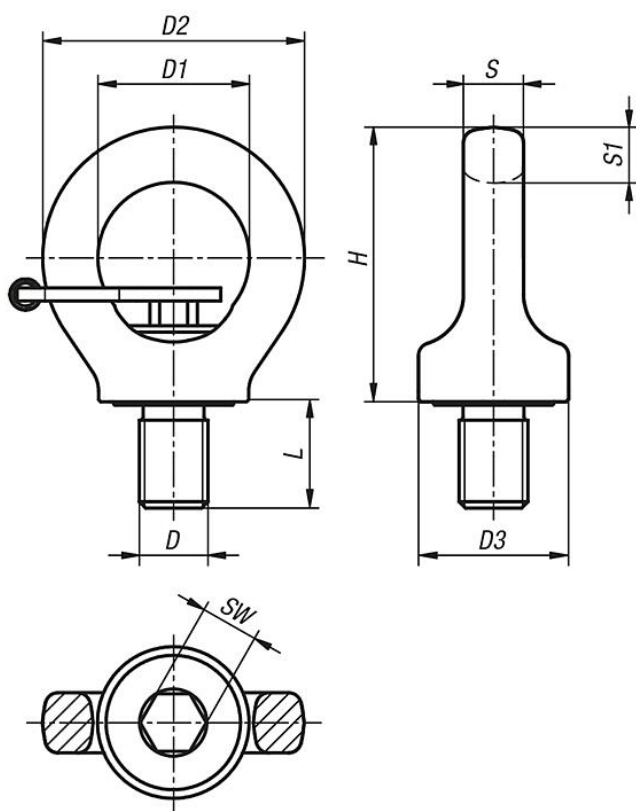
Note:

In contrast to DIN 580 ring bolts this ring bolt is rotatable, therefore the load direction is adjustable and unintended tightening or loosening is negated.

- 4x safety factor
- lateral loading up to 90° is possible
- ring can rotate 360° with tightened screw

The listed load values apply for a minimum screw length of 1x nominal thread diameter in steel with a minimum tensile strength of 363 N/mm², at an application temperature of -20 °C to +100 °C.

Drawings



Maximum lifting weight "G" in kg for different sling types

Sling configuration																
	No. of slings	Sling angle \sphericalangle	No. of slings	Sling angle \sphericalangle	No. of slings	Sling angle \sphericalangle	No. of slings	Sling angle \sphericalangle	No. of slings	Sling angle \sphericalangle	No. of slings	Sling angle \sphericalangle	No. of slings	Sling angle \sphericalangle	No. of slings	Sling angle \sphericalangle
M8	1	0°	2	0°	1	90°	2	90°	2	0°-45°	2	45°-60°	3 - 4	0°-45°	3 - 4	45°-60°
M10	1000		2000		300		600		420		300		630		450	
M12	2000		4000		400		800		560		400		840		600	
M16	4000		8000		750		1500		1000		750		1600		1120	
M20	6000		12000		2300		4600		3220		2300		4830		3450	
M24	8000		16000		3200		6400		4480		3200		6700		4800	
M30	12000		24000		4500		9000		6300		4500		9400		6700	

Overview of items

Order No.	Version 2	D	D1	D2	D3	H	L	S	S1	SW	Permissible load kg
07695-08151	with hex key	M8	25	44	25	47	12	9	9,5	6	300
07695-10151	with hex key	M10	25	44	26	47	15	9	9,5	6	400
07695-12181	with hex key	M12	30	52	34	55	18	11	11	8	750
07695-16241	with hex key	M16	35	61	35	64	24	14	13	10	1500
07695-20301	with hex key	M20	40	70	44	74	30	16	15	12	2300
07695-24361	with hex key	M24	48	84	52	91	36	19	18	14	3200
07695-30451	with hex key	M30	60	105	61	112	45	25	22,5	17	4500
07695-08150	without hex key	M8	25	44	25	47	12	8	11	6	300
07695-10150	without hex key	M10	25	44	25	47	15	8	11	6	400
07695-12180	without hex key	M12	30	52	33	55	18	10	13	8	750

Overview of items

Order No.	Version 2	D	D1	D2	D3	H	L	S	S1	SW	Permissible load kg
07695-16240	without hex key	M16	35	61	35	64	24	14	13	10	1500
07695-20300	without hex key	M20	40	70	44	74	30	16	17	12	2300
07695-24360	without hex key	M24	48	84	52	91	36	19	21	14	3200
07695-30450	without hex key	M30	60	108	62	112	45	27	26	17	4500