

Item description/product images



Description

Material:

Carbon steel.

Version:

Black oxidised.

Note:

Every lifting ring undergoes an additional visual inspection after load testing (5x safety factor).

A safety data sheet for installation is included with every lifting ring.

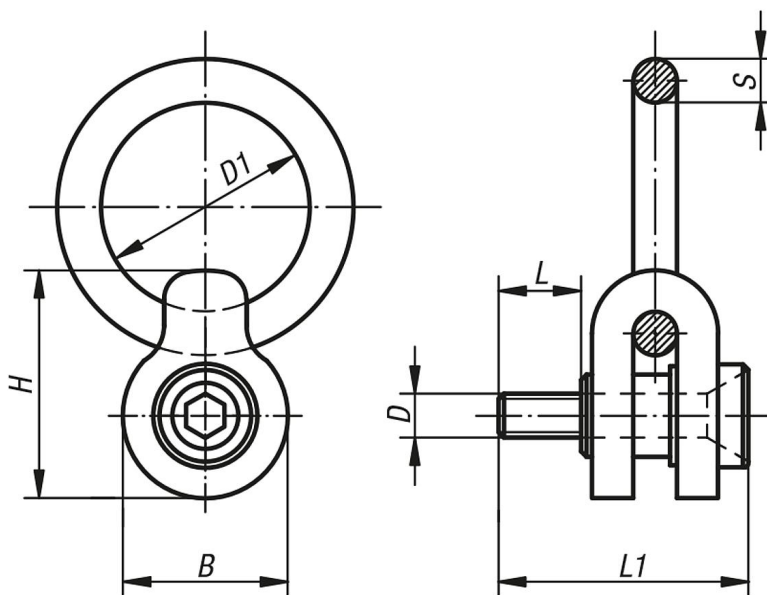
Do not use spacer washers between the bush flange and support surface.

Tighten the screws to the stated torque and check and re-tighten regularly. After installation check if the ring swivels and turns freely in all directions.

Lift with care! Avoid impacts!

In no event must the permissible load stamped on the lifting ring be exceeded.

Drawings



Overview of items

Order No.	D	D1	B	H	L	L1	S	max. permissible load kg	Tightening torque Nm
07750-08	M8	50,5	38	51	16	61	9,5	325	4,21
07750-10	M10	50,5	38	51	20	63	9,5	500	5,88
07750-12	M12	76	60	81	24	85	16	725	19,61
07750-16	M16	76	60	81	31	94	16	1400	34,32
07750-20	M20	101,5	95	125,5	40	133	25,5	2290	68,65
07750-24	M24	101,5	95	125,5	47	147	25,5	3050	122,6

