

Item description/product images

**Description****Material:**

Carbon steel.

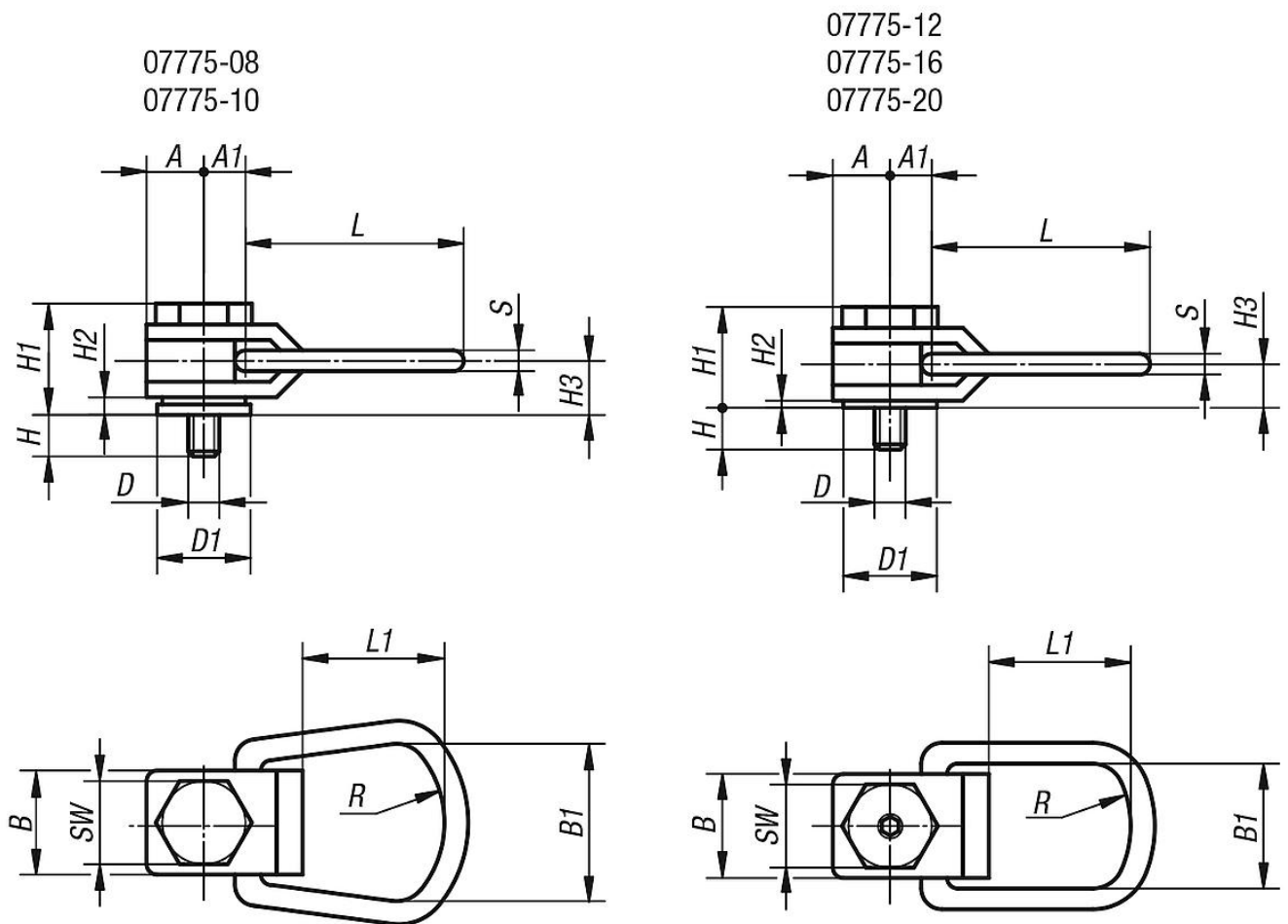
Version:

Black oxidised.

Note:

Every swivel bale is load tested to 5x safety factor. The flat and light design make this swivel bale easier to use than similar swivel bales. The swivel bale is installed using a spanner or hexagon key depending on type.

Drawings



Overview of items

Order No.	A	A1	B	B1	D	D1	H	H1	H2	H3	L	L1	R	S	SW	hexagon socket	max. permissible load kg
07775-08	13	13	25	44	M8	21	16	33	3	14	76	52	25	8	19	-	325
07775-10	13	13	25	44	M10	21	20	33	3	14	76	52	25	8	19	-	500
07775-12	22	19	44	51	M12	35	24	48	4	21	110	75	38	13	32	6	725
07775-16	22	19	44	51	M16	35	32	48	4	21	110	75	38	13	32	8	1400
07775-20	29	25	57	67	M20	48	40	59	6	26	145	102	51	16	44	10	2290