

Item description/product images



Description

Material:

Steel or 1.4305 stainless steel.

Version:

Steel case hardened, electro zinc-plated.

Stainless steel bright.

Note:

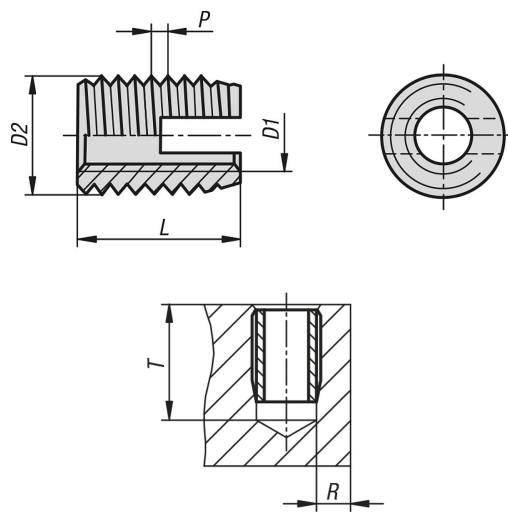
Self-tapping threaded inserts for making high-strength, wear-free, vibration resistant screw connections in materials with low shear strength such as aluminium and aluminium alloys, brass, bronze, cast iron, duro and thermoplastics.

The threaded inserts are tapered at the bottom and have a cutting slot. By screwing in they cut their own threads inside a receiver hole. This guarantees a completely secure and firm anchoring in the host material.

Internal thread D1 acc. to ISO 6H.

The threaded inserts with cutting slot spring slightly inwards in the slot region in some materials. This results in a screw locking effect. If this is not desired, we recommend the threaded inserts with a cutting bore.

Drawings



Overview of items

Order No.	Main material	D1 internal thread	D2	L length	P	T min.	R min. light metal	R min. cast iron	R min. plastics	Order No. Hand ass. tool	Order No. M/C ass. tool
07652-03	steel	M3	5	6	0,5	8	1	1,5	1,25	07652-803	07652-903
07652-04	steel	M4	6,5	8	0,75	10	1,3	1,95	1,6	07652-804	07652-904
07652-05	steel	M5	8	10	1	13	1,6	2,4	2	07652-805	07652-905
07652-06	steel	M6	10	14	1,5	17	2	3	2,5	07652-806	07652-906
07652-08	steel	M8	12	15	1,5	18	2,4	3,6	3	07652-808	07652-908
07652-10	steel	M10	14	18	1,5	22	2,8	4,2	3,5	07652-810	07652-910
07652-12	steel	M12	16	22	1,5	26	3,2	4,8	4	07652-812	07652-912
07652-16	steel	M16	20	22	1,5	27	4	6	5	-	07652-916
07652-103	stainless steel	M3	5	6	0,5	8	1	1,5	1,25	07652-803	07652-903

Overview of items

Order No.	Main material	D1 internal thread	D2	L length	P	T min.	R min. light metal	R min. cast iron	R min. plastics	Order No. Hand ass. tool	Order No. M/C ass. tool
07652-104	stainless steel	M4	6,5	8	0,75	10	1,3	1,95	1,6	07652-804	07652-904
07652-105	stainless steel	M5	8	10	1	13	1,6	2,4	2	07652-805	07652-905
07652-106	stainless steel	M6	10	14	1,5	17	2	3	2,5	07652-806	07652-906
07652-108	stainless steel	M8	12	15	1,5	18	2,4	3,6	3	07652-808	07652-908
07652-110	stainless steel	M10	14	18	1,5	22	2,8	4,2	3,5	07652-810	07652-910
07652-112	stainless steel	M12	16	22	1,5	26	3,2	4,8	4	07652-812	07652-912
07652-116	stainless steel	M16	20	22	1,5	27	4	6	5	-	07652-916