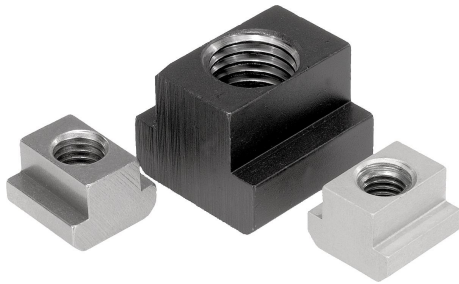


Item description/product images



Description

Material:

Carbon steel grade 10, EN AW-7075 or stainless steel 1.4571.

Version:

Steel tempered (black).

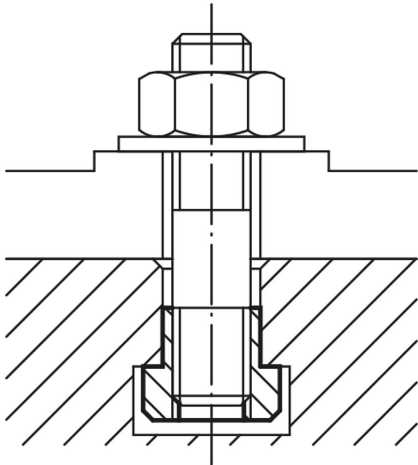
Aluminium and stainless steel bright.

Note:

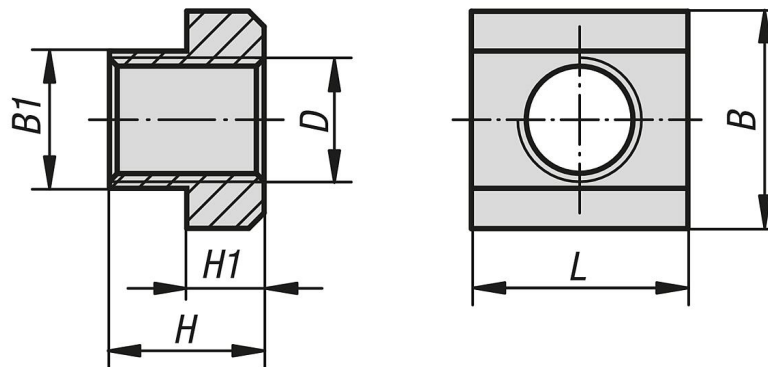
Aluminium T-slot nuts have steel threaded inserts.

Strength of stainless steel version:

$R_m = 700 \text{ N/mm}^2$, $R_{p0,2} = 450 \text{ N/mm}^2$.



Drawings



Overview of items

Order No.	Main material	Surface finish body	Slot width	B	B1	D	H	H1	L
07060-05	QT steel	tempered (black)	6	10	5,6	M5	8	4	10
07060-06	QT steel	tempered (black)	8	13	7,6	M6	10	6	13
07060-061	QT steel	tempered (black)	10	15	9,6	M6	12	6	15
07060-08	QT steel	tempered (black)	10	15	9,6	M8	12	6	15
07060-081	QT steel	tempered (black)	12	18	11,6	M8	14	7	18
07060-10	QT steel	tempered (black)	12	18	11,6	M10	14	7	18
07060-082	QT steel	tempered (black)	14	22	13,6	M8	16	8	22
07060-101	QT steel	tempered (black)	14	22	13,6	M10	16	8	22
07060-12	QT steel	tempered (black)	14	22	13,6	M12	16	8	22
07060-121	QT steel	tempered (black)	16	25	15,6	M12	18	9	25
07060-14	QT steel	tempered (black)	16	25	15,6	M14	18	9	25
07060-122	QT steel	tempered (black)	18	28	17,6	M12	20	10	28
07060-141	QT steel	tempered (black)	18	28	17,6	M14	20	10	28
07060-16	QT steel	tempered (black)	18	28	17,6	M16	20	10	28

Overview of items

Order No.	Main material	Surface finish body	Slot width	B	B1	D	H	H1	L
07060-123	QT steel	tempered (black)	20	32	19,6	M12	24	12	32
07060-161	QT steel	tempered (black)	20	32	19,6	M16	24	12	32
07060-18	QT steel	tempered (black)	20	32	19,6	M18	24	12	32
07060-124	QT steel	tempered (black)	22	35	21,6	M12	28	14	35
07060-181	QT steel	tempered (black)	22	35	21,6	M18	28	14	35
07060-20	QT steel	tempered (black)	22	35	21,6	M20	28	14	35
07060-163	QT steel	tempered (black)	24	40	23,6	M16	32	16	40
07060-201	QT steel	tempered (black)	24	40	23,6	M20	32	16	40
07060-22	QT steel	tempered (black)	24	40	23,6	M22	32	16	40
07060-164	QT steel	tempered (black)	28	44	27,6	M16	36	18	44
07060-202	QT steel	tempered (black)	28	44	27,6	M20	36	18	44
07060-24	QT steel	tempered (black)	28	44	27,6	M24	36	18	44
07060-27	QT steel	tempered (black)	32	50	31,5	M27	40	20	50
07060-241	QT steel	tempered (black)	36	54	35,5	M24	44	22	54
07060-30	QT steel	tempered (black)	36	54	35,5	M30	44	22	54
07060-36	QT steel	tempered (black)	42	65	41,5	M36	52	26	65
07060-204	aluminium	bright	6	10	5,6	M4	8	4	10
07060-206	aluminium	bright	8	13	7,6	M6	10	6	13
07060-2061	aluminium	bright	10	15	9,6	M6	12	6	15
07060-208	aluminium	bright	12	18	11,6	M8	14	7	18
07060-210	aluminium	bright	14	22	13,6	M10	16	8	22
07060-216	aluminium	bright	22	35	21,6	M16	28	14	35
07060-806	stainless steel A4	bright	8	13	7,6	M6	10	6	13
07060-808	stainless steel A4	bright	10	15	9,6	M8	12	6	15
07060-810	stainless steel A4	bright	12	18	11,6	M10	14	7	18
07060-812	stainless steel A4	bright	14	22	13,6	M12	16	8	22
07060-814	stainless steel A4	bright	16	25	15,6	M14	18	9	25
07060-816	stainless steel A4	bright	18	28	17,6	M16	20	10	28