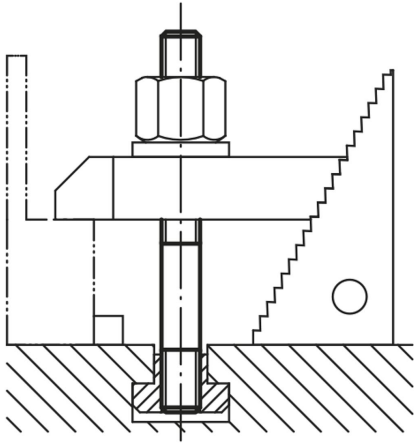


## Item description/product images



## Description

**Material:**

Carbon steel 1.1181.

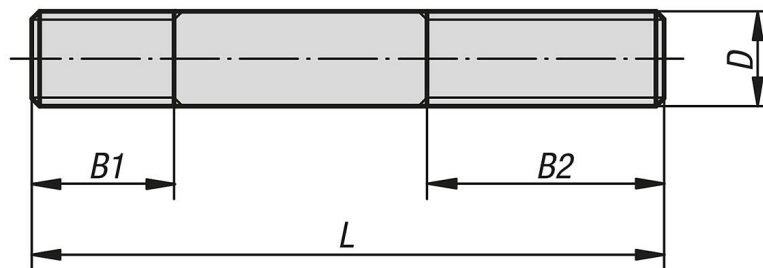
**Version:**

Tempered to 8.8 and black oxidised.

**Note:**Permissible loading see Technical Information.  
Thread end with oval point is permissible.**On request:**

Stainless steel.

## Drawings



## Overview of items

Order No.	D	L	B1	B2
07020-105	M5	20	7	10
07020-205	M5	30	7	10
07020-106	M6	25	10	12
07020-206	M6	35	10	12
07020-306	M6	45	10	12
07020-406	M6	60	10	12
07020-108	M8	40	12	25
07020-208	M8	50	12	25
07020-308	M8	70	12	25
07020-408	M8	80	12	25
07020-110	M10	50	15	30
07020-210	M10	67	15	30
07020-310	M10	80	15	30
07020-410	M10	100	15	30
07020-112	M12	56	18	30
07020-212	M12	67	18	30
07020-312	M12	80	18	30
07020-412	M12	100	18	30
07020-512	M12	125	18	30
07020-114	M14	60	20	30
07020-214	M14	80	20	30
07020-314	M14	100	20	30
07020-414	M14	125	20	30

## Overview of items

Order No.	D	L	B1	B2
07020-514	M14	150	20	30
07020-116	M16	75	25	30
07020-216	M16	100	25	30
07020-316	M16	125	25	30
07020-416	M16	150	25	30
07020-120	M20	100	30	40
07020-220	M20	125	30	40
07020-320	M20	150	30	40
07020-420	M20	180	30	40