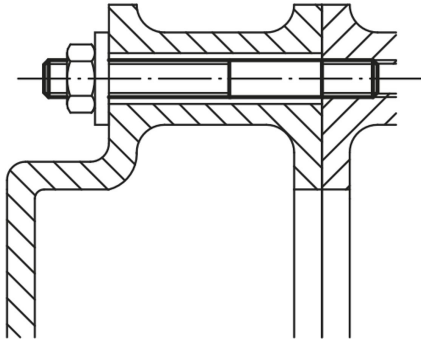


Item description/product images



Description

Material:

Carbon steel.

Version:

Thread rolled.

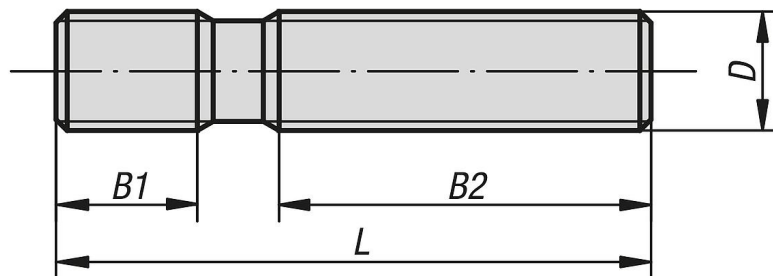
M6-M12 tempered to 10.9, black.

M14-M36 tempered to 8.8, black.

Note:

Permissible load: see Technical Information.

Drawings



Overview of items

Order No.	D	L	B1	B2
07030-0632	M6	32	9	16
07030-0640	M6	40	9	20
07030-0650	M6	50	9	30
07030-0663	M6	63	9	40
07030-0680	M6	80	9	50
07030-06100	M6	100	9	63
07030-0840	M8	40	11	20
07030-0863	M8	63	11	40
07030-0880	M8	80	11	50
07030-08100	M8	100	11	63
07030-08125	M8	125	11	75
07030-08160	M8	160	11	100
07030-1050	M10	50	13	25
07030-1080	M10	80	13	50
07030-10100	M10	100	13	75
07030-10125	M10	125	13	75
07030-10160	M10	160	13	100
07030-10200	M10	200	13	125
07030-1250	M12	50	15	25
07030-1263	M12	63	15	32
07030-1280	M12	80	15	50
07030-12100	M12	100	15	63
07030-12125	M12	125	15	75
07030-12160	M12	160	15	100
07030-12200	M12	200	15	125

Overview of items

Order No.	D	L	B1	B2
07030-1463	M14	63	17	32
07030-1480	M14	80	17	50
07030-14100	M14	100	17	63
07030-14125	M14	125	17	75
07030-14160	M14	160	17	100
07030-14200	M14	200	17	125
07030-14250	M14	250	17	160
07030-1663	M16	63	19	32
07030-1680	M16	80	19	50
07030-16100	M16	100	19	63
07030-16125	M16	125	19	75
07030-16160	M16	160	19	100
07030-16200	M16	200	19	125
07030-16250	M16	250	19	160
07030-16315	M16	315	19	180
07030-16350	M16	350	19	200
07030-16500	M16	500	20	315
07030-1880	M18	80	23	50
07030-18125	M18	125	23	75
07030-18160	M18	160	23	100
07030-18200	M18	200	23	125
07030-18250	M18	250	23	150
07030-18315	M18	315	23	180
07030-2080	M20	80	27	32
07030-20125	M20	125	27	70
07030-20160	M20	160	27	100
07030-20200	M20	200	27	125
07030-20250	M20	250	27	160
07030-20315	M20	315	27	200
07030-20400	M20	400	27	250
07030-20500	M20	500	27	315
07030-22100	M22	100	31	45
07030-22160	M22	160	31	100
07030-22200	M22	200	31	125
07030-22250	M22	250	31	160
07030-22315	M22	315	31	180
07030-22400	M22	400	31	250
07030-24100	M24	100	35	45
07030-24125	M24	125	35	63
07030-24160	M24	160	35	100
07030-24200	M24	200	35	125
07030-24250	M24	250	35	160
07030-24315	M24	315	35	200
07030-24400	M24	400	35	250
07030-24500	M24	500	35	315
07030-24630	M24	630	35	315
07030-27125	M27	125	39	56
07030-27200	M27	200	39	125
07030-27315	M27	315	39	200
07030-27400	M27	400	39	250
07030-27500	M27	500	39	315
07030-30125	M30	125	43	56
07030-30200	M30	200	43	125
07030-30315	M30	315	43	200
07030-30500	M30	500	43	315
07030-30700	M30	700	43	400
07030-301000	M30	1000	44	400
07030-36160	M36	160	51	80
07030-36200	M36	200	51	125
07030-36250	M36	250	51	160
07030-36315	M36	315	51	200
07030-36400	M36	400	51	250
07030-36500	M36	500	51	315
07030-36700	M36	700	51	400

