

Item description/product images



Description

Material:

Form C, F tool steel
 Form E, O stainless steel
 Form K POM

Version:

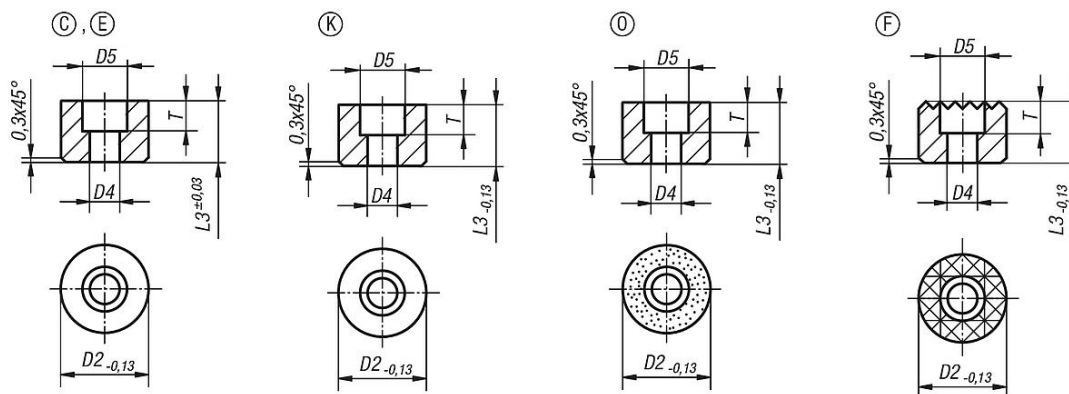
Form C, F hardened and black oxidised.
 Form E, hardened, bright.
 Form K white.
 Form O with diamond impregnated surface comparable to 100 grade abrasive grit.

Note:

Grippers and inserts are ideal for use in clamping arms, gripping systems, clamping fixtures, clamping jaws and self-aligning pads. The use of grippers allows the transfer of very high torque values and above average grip, even with hard materials and surface irregularities.

Form O: The abrasive diamond surface is bonded firmly to the base. It is ideally suited to supporting smooth or slippery applications with a minimum of clamping pressure. This allows the diamond particles to get a firm grip on a very small area with minimum damage to the surface.
 The diamond surface offers excellent wear resistance.

Drawings



Overview of items

Round inserts

Order No. Form C	Order No. Form O	Order No. Form K	Order No. Form E	D2	D4	D5	L3	T
07113-110108	07113-110105	07113-110109	07113-110102	10	3,4	6	10	5
07113-110128	07113-110125	07113-110129	07113-110122	10	3,4	6	12	5
-	07113-112105	-	-	12	4,5	8	10	5,6
-	07113-112125	-	-	12	4,5	8	12	5,6
07113-112108	-	07113-112109	07113-112102	12	4,5	9	10	5,6
07113-112128	-	07113-112129	07113-112122	12	4,5	9	12	5,6
07113-116108	07113-116105	07113-116109	07113-116102	16	5,5	11	10	6,6
07113-116128	07113-116125	07113-116129	07113-116122	16	5,5	11	12	6,6
07113-120108	07113-120105	07113-120109	07113-120102	20	6,6	11	10	7,6
07113-120128	07113-120125	07113-120129	07113-120122	20	6,6	11	12	7,6

Overview of items

Order No. Form C	Order No. Form O	Order No. Form K	Order No. Form E	D2	D4	D5	L3	T
07113-125108	07113-125105	07113-125109	07113-125102	25	6,6	11	10	7,6
07113-125128	07113-125125	07113-125129	07113-125122	25	6,6	11	12	7,6

Round grippers

Order No.	Form	D2	D4	D5	L3	T
07113-11210	F	12	4,5	8	10	5,6
07113-11212	F	12	4,5	8	12	5,6
07113-11610	F	16	4,5	8	10	5,6
07113-11612	F	16	4,5	8	12	5,6
07113-12010	F	20	5,5	10	10	6,6
07113-12012	F	20	5,5	10	12	6,6
07113-12510	F	25	6,6	11	10	7,6
07113-12512	F	25	6,6	11	12	7,6