

## Item description/product images



## Description

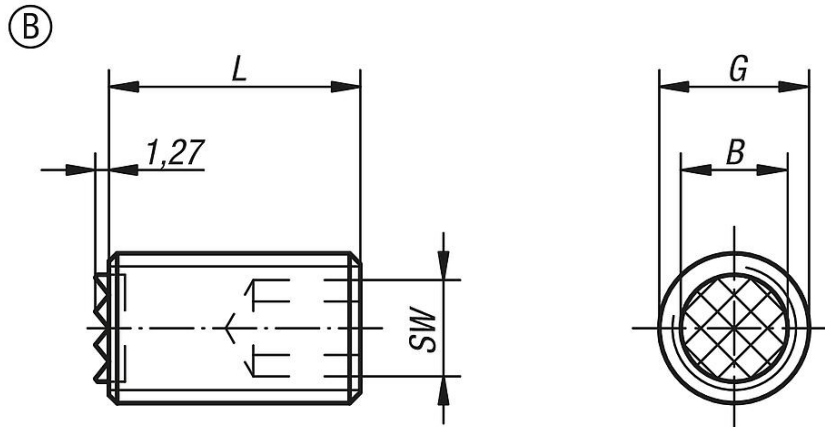
**Material:**

Hardened tool steel or carbide.

**Note:**

The full thread on the grippers allows exact adjustment to the clamping application. The carbide tips are soldered in.

## Drawings



## Overview of items

Order No.	Form	L	B	G	SW
07117-2510	B	25	6,4	M10	5
07117-5010	B	50	6,4	M10	5
07117-2512	B	25	7,9	M12	6
07117-5012	B	50	7,9	M12	6
07117-2516	B	25	11,2	M16	8
07117-5016	B	50	11,2	M16	8
07117-2520	B	25	12,7	M20	10
07117-5020	B	50	12,7	M20	10

