

Item description/product images



Description

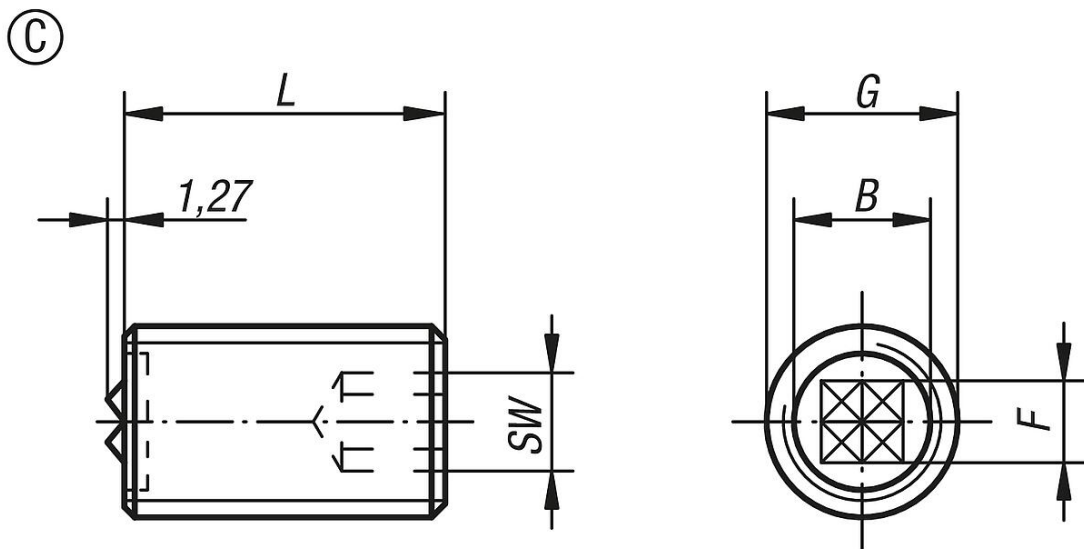
Material:

Hardened tool steel or carbide.

Note:

The full thread on the grippers allows exact adjustment to the clamping application. The carbide tips are soldered in.

Drawings



Overview of items

Order No.	Form	L	B	G	F	SW
07117-25124	C	25	7,9	M12	6,5	6
07117-50124	C	50	7,9	M12	6,5	6
07117-25164	C	25	11,2	M16	8	8
07117-50164	C	50	11,2	M16	8	8
07117-25204	C	25	12,7	M20	8	10
07117-50204	C	50	12,7	M20	8	10

