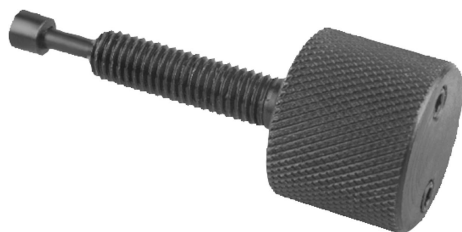


## Item description/product images



## Description

**Material:**

Steel.

**Version:**

Black oxidised.

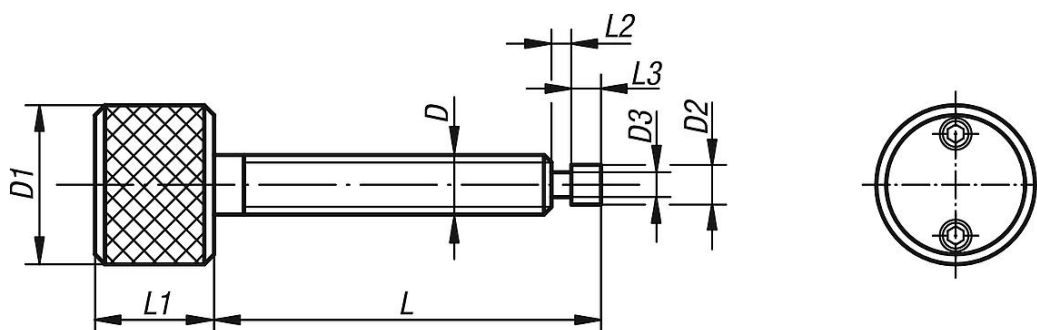
**Note:**

The torque required for the knurled screw is generated by two spring-mounted thrust balls.

As soon as the adjustable final pressure is reached, the grip runs free.

The final pressure is set using the set screws located in the head.

## Drawings



## Overview of items

Order No.	D	D1	D2	D3	L	L1	L2	L3	F1 N	F2 N
07131-06	M6	25	4,7	2,5	45	20	8	5	40	800
07131-10	M10	25	7,7	4,5	45	20	8	5	40	550