

Item description/product images



Description

Material, version:

Form G: Foot carbon steel, ball element case-hardened steel, black oxidised.

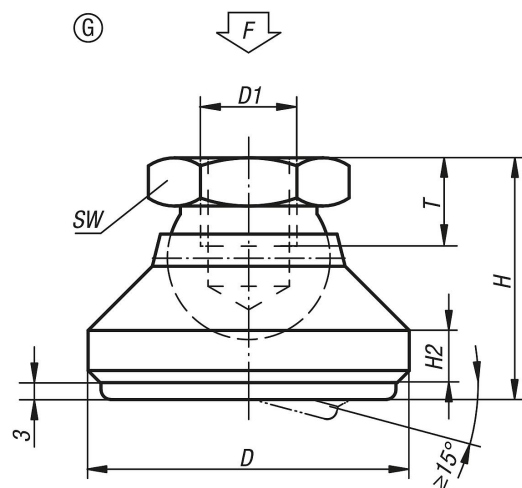
Anti-slip plate thermoplastic elastomer.

Note:

The anti-slip plate absorbs vibrations and prevents the swivel foot slipping

The loading indicated in the table is a recommendation up to which permanent static load the swivel foot can be used.

Drawings



Overview of items

Order No.	Form	D	D1	H	H2	T	SW	Load rating max. kN
07144-410	G	32	M10	25	5	10	17	12
07144-412	G	40	M12	29	6	12	19	17
07144-416	G	50	M16	35	7	14	24	20
07144-420	G	60	M20	45	8	18	30	24