

Item description/product images



Description

Material:

Crank aluminium.
Cylinder grip thermoplastic and steel.

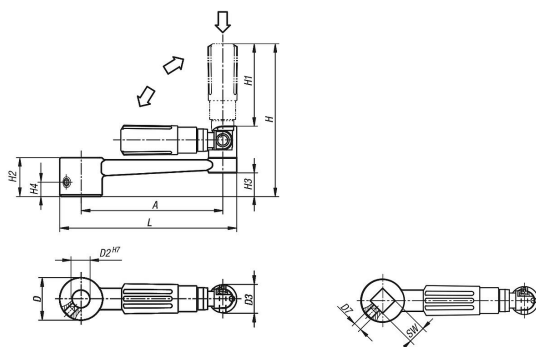
Version:

Crank black powder-coated.
Thermoplastic black grey.
Steel parts black oxidised.

Note:

Similar to DIN 469.
Versions with transverse bore are secured using the ISO 4027 (DIN 914) grub screw.

Drawings



Overview of items

| Order No. | Version 1 | Version 2 | A | D | D2 | D3 | D7 | H | H1 | H2 | H3 | H4 | L |
|------------|-------------|-------------------------|-----|----|----|----|----|------|------|----|------|----|-----|
| 06504-1110 | reamed hole | without transverse hole | 80 | 24 | 10 | 16 | - | 87,5 | 47,5 | 22 | 13,6 | - | 100 |
| 06504-1212 | reamed hole | without transverse hole | 100 | 28 | 12 | 20 | - | 107 | 58,5 | 25 | 16 | - | 124 |
| 06504-1314 | reamed hole | without transverse hole | 125 | 30 | 14 | 25 | - | 139 | 82 | 28 | 15,8 | - | 153 |
| 06504-1417 | reamed hole | without transverse hole | 160 | 34 | 17 | 25 | - | 143 | 82 | 32 | 19,6 | - | 190 |

Overview of items

| Order No. | Version 1 | Version 2 | A | D | D2 | D3 | D7 | H | H1 | H2 | H3 | H4 | L |
|-------------|-------------|----------------------|-----|----|----|----|----|-------|------|----|------|-----|-----|
| 06504-11106 | reamed hole | with transverse bore | 80 | 24 | 10 | 16 | M6 | 87,5 | 47,5 | 22 | 13,4 | 7,5 | 100 |
| 06504-12126 | reamed hole | with transverse bore | 100 | 28 | 12 | 20 | M6 | 106,9 | 58,4 | 26 | 16 | 7,5 | 124 |
| 06504-13146 | reamed hole | with transverse bore | 125 | 30 | 14 | 26 | M6 | 139,1 | 82,1 | 28 | 15,8 | 7,5 | 153 |
| 06504-14176 | reamed hole | with transverse bore | 160 | 34 | 17 | 26 | M6 | 143,1 | 82,1 | 32 | 19,6 | 7,5 | 190 |

| Order No. | Version 1 | Version 2 | A | D | D3 | D7 | H | H1 | H2 | H3 | H4 | L | SW |
|-------------|---------------|-------------------------|-----|----|----|----|-------|------|----|------|-----|-----|----|
| 06504-21110 | square socket | without transverse hole | 80 | 24 | 16 | - | 87,5 | 47,5 | 22 | 13,6 | - | 100 | 10 |
| 06504-22126 | square socket | without transverse hole | 100 | 28 | 20 | - | 107 | 58,5 | 25 | 16 | - | 124 | 12 |
| 06504-23146 | square socket | without transverse hole | 125 | 30 | 25 | - | 139 | 82 | 28 | 15,8 | - | 153 | 14 |
| 06504-24176 | square socket | without transverse hole | 160 | 34 | 25 | - | 143 | 82 | 32 | 19,6 | - | 190 | 17 |
| 06504-21106 | square socket | with transverse bore | 80 | 24 | 16 | M6 | 87,5 | 47,5 | 22 | 13,4 | 7,5 | 100 | 10 |
| 06504-22126 | square socket | with transverse bore | 100 | 28 | 20 | M6 | 106,9 | 58,4 | 26 | 16 | 7,5 | 124 | 12 |
| 06504-23146 | square socket | with transverse bore | 125 | 30 | 26 | M6 | 139,1 | 82,1 | 28 | 15,8 | 7,5 | 153 | 14 |
| 06504-24176 | square socket | with transverse bore | 160 | 34 | 26 | M6 | 143,1 | 82,1 | 32 | 19,6 | 7,5 | 190 | 17 |