

Item description/product images



Description

Material:

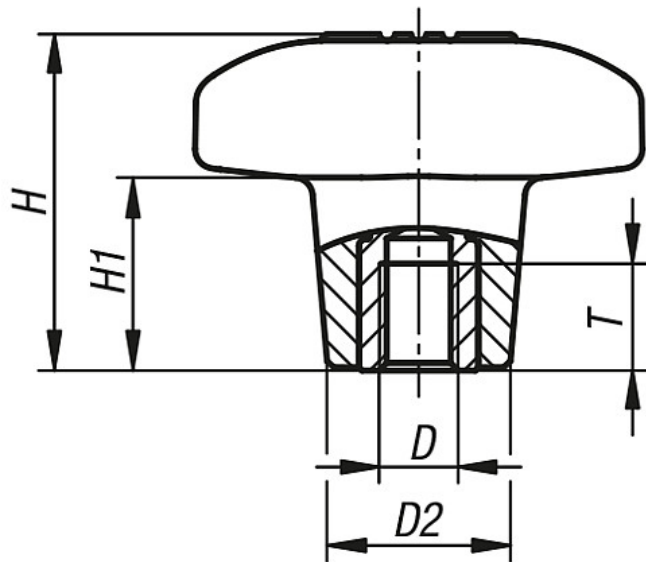
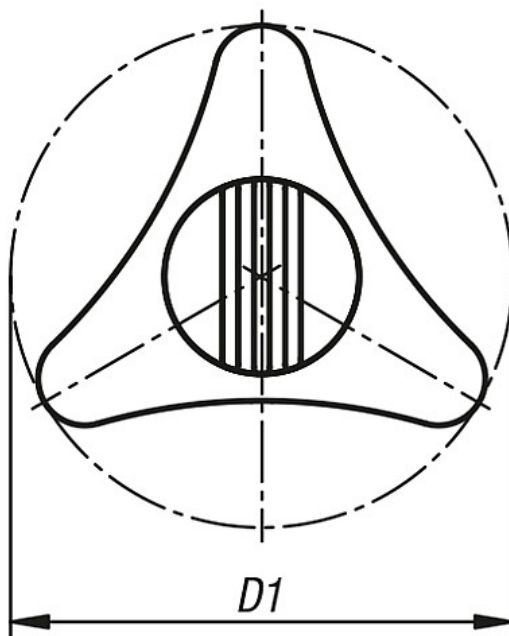
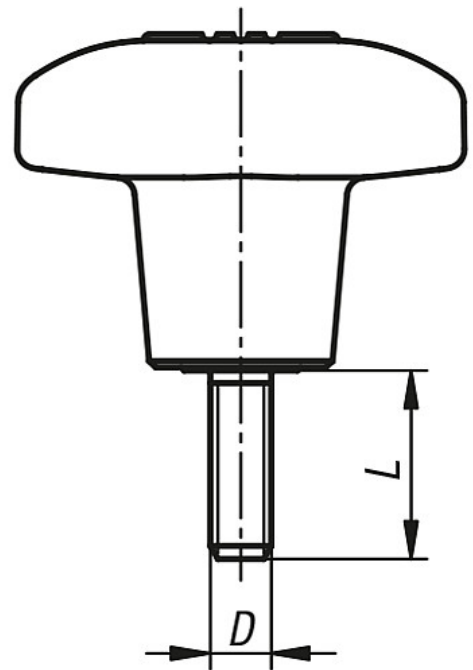
Grip glass-bead reinforced thermoplastic.
Cap thermoplastic.
Steel parts grade 5.8

Version:

Grip and cap, black grey (RAL 7021).
Steel parts blue chromed.

On request:

Other screw lengths and colours.
Metal parts stainless steel.

Triangular grip
with internal threadTriangular grip
with external thread

Overview of items

Triangular grips with internal thread

Overview of items

Order No.	D	D1	D2	H	H1	T
06699-18008	M8	80	29,2	53,5	31	17
06699-18010	M10	80	29,2	53,5	31	17
06699-18012	M12	80	29,2	53,5	31	17

Triangular grips with external thread

Order No.	D	D1	D2	H	H1	L
06699-18008X15	M8	80	29,2	53,5	31	15
06699-18008X20	M8	80	29,2	53,5	31	20
06699-18008X30	M8	80	29,2	53,5	31	30
06699-18008X40	M8	80	29,2	53,5	31	40
06699-18008X50	M8	80	29,2	53,5	31	50
06699-18010X15	M10	80	29,2	53,5	31	15
06699-18010X20	M10	80	29,2	53,5	31	20
06699-18010X30	M10	80	29,2	53,5	31	30
06699-18010X40	M10	80	29,2	53,5	31	40
06699-18010X50	M10	80	29,2	53,5	31	50
06699-18012X15	M12	80	29,2	53,5	31	15
06699-18012X20	M12	80	29,2	53,5	31	20
06699-18012X30	M12	80	29,2	53,5	31	30
06699-18012X40	M12	80	29,2	53,5	31	40
06699-18012X50	M12	80	29,2	53,5	31	50