

## Item description/product images



## Description

**Material:**

Grip glass-bead reinforced thermoplastic.  
Cap thermoplastic.  
Steel parts grade 5.8.

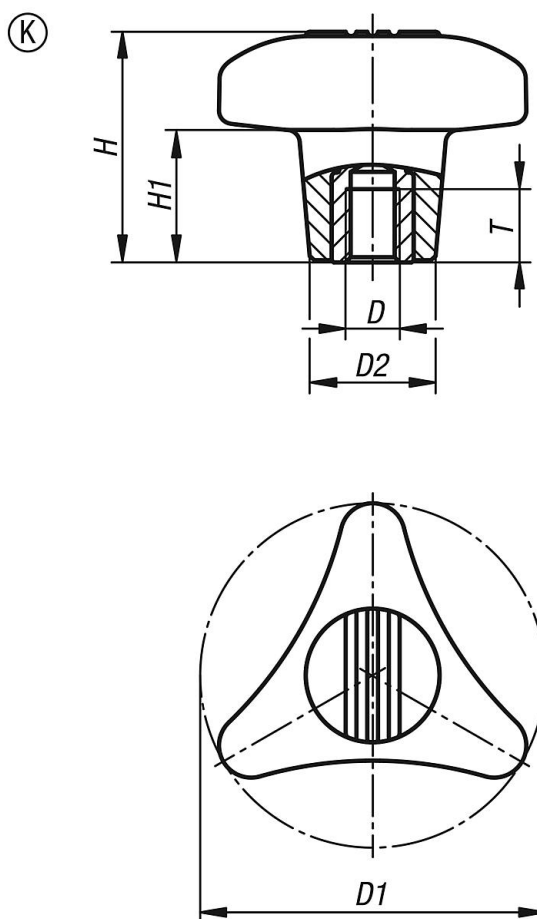
**Version:**

Grip and cap black grey (RAL 7021).  
Steel parts blue-passivated.

**On request:**

Other screw lengths and colours.  
Metal parts stainless steel.

## Drawings



## Overview of items

Order No.	Form	D	D1	D2	H	H1	T
06699-18008	K	M8	80	29,2	53,5	31	17
06699-18010	K	M10	80	29,2	53,5	31	17
06699-18012	K	M12	80	29,2	53,5	31	17

