

Item description/product images



Description

Material:

Grip: polyamide, glass bead reinforced.

Bush: brass or steel.

Version:

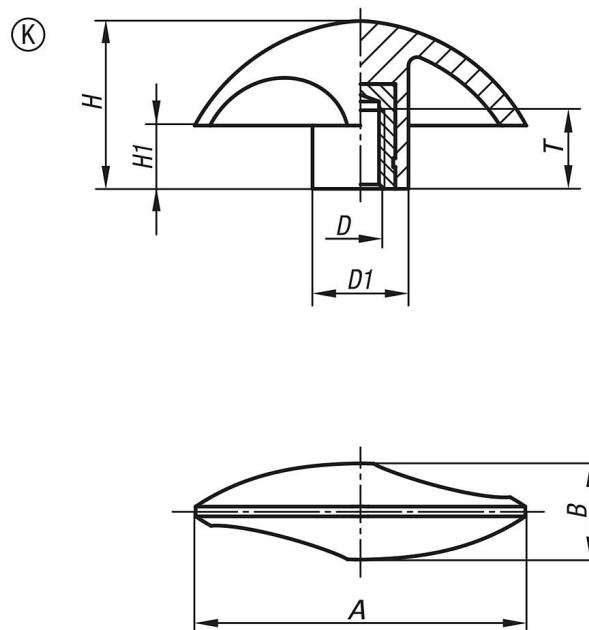
Steel electro zinc-plated.

Note:

Temperature resistance from -50 °C to 130 °C.

Resistant to common chemicals and oils.

Drawings



Overview of items

Order No.	Form	A	B	D	D1	H	H1	T
06665-15006	K	51	15	M6	15	25,5	9,5	14
06665-16008	K	61,5	18	M8	18	31	11,5	14
06665-17510	K	76	22	M10	22	38,5	14,5	14