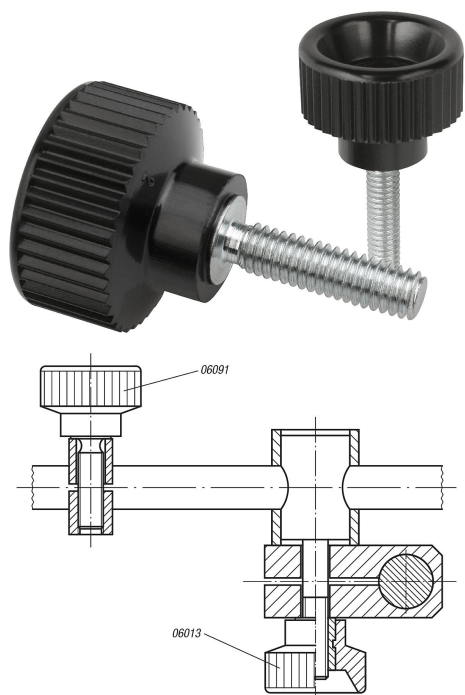


Item description/product images

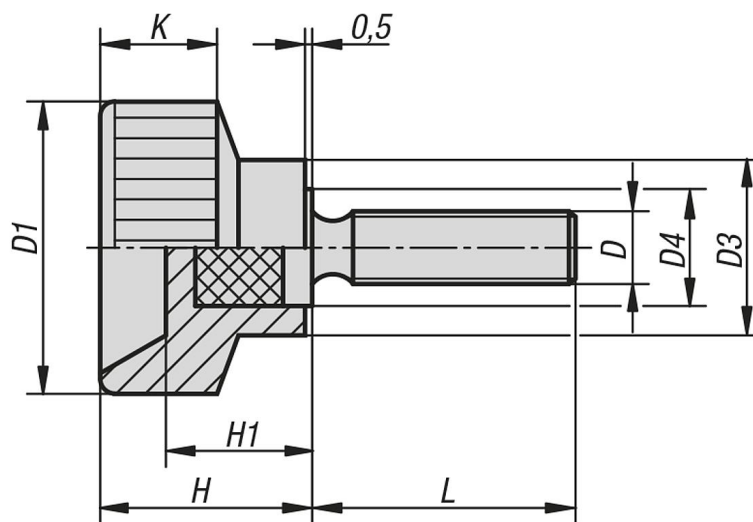


Description

**Material:**  
Black thermoset PF 31.  
Screw steel.

**Version:**  
Screw electro zinc-plated.

Drawings



Overview of items

| Order No.   | D   | D1 | D3 | D4 | H    | H1  | K  | L  |
|-------------|-----|----|----|----|------|-----|----|----|
| 06091-04X15 | M4  | 18 | 10 | 7  | 13,5 | 9   | 8  | 15 |
| 06091-04X20 | M4  | 18 | 10 | 7  | 13,5 | 9   | 8  | 20 |
| 06091-05X10 | M5  | 20 | 12 | 8  | 14,5 | 10  | 8  | 10 |
| 06091-05X18 | M5  | 20 | 12 | 8  | 14,5 | 10  | 8  | 18 |
| 06091-05X25 | M5  | 20 | 12 | 8  | 14,5 | 10  | 8  | 25 |
| 06091-06X20 | M6  | 24 | 13 | 10 | 15   | 9,5 | 9  | 20 |
| 06091-06X28 | M6  | 24 | 13 | 10 | 15   | 9,5 | 9  | 28 |
| 06091-08X25 | M8  | 30 | 15 | 12 | 18   | 11  | 11 | 25 |
| 06091-08X32 | M8  | 30 | 15 | 12 | 18   | 11  | 11 | 32 |
| 06091-10X30 | M10 | 35 | 18 | 14 | 18,5 | 11  | 12 | 30 |

