

Item description/product images



Description

Material:

Thermoset PF 31, black.
Bush and screw steel, trivalent blue passivated.

Version:

High-gloss polished.

Note:

The version 06208-22004 has a brass bush.

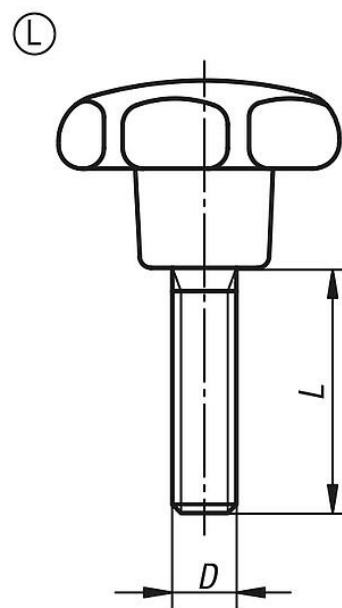
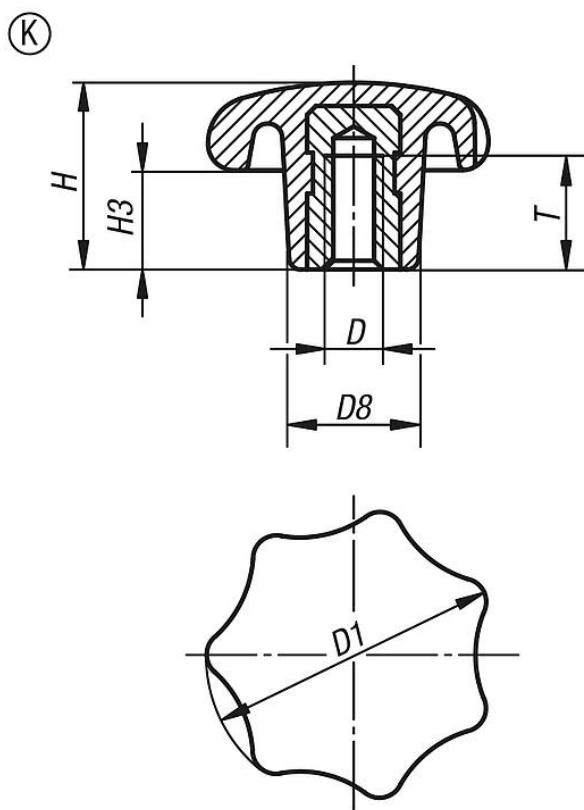
On request:

Other colours.

Drawing reference:

Form K: tapped bush
Form L: external thread

Drawings



Overview of items

Star grips similar to DIN 6336 with internal thread, Form K

Order No.	Form	D	D1	D8	H	H3	L	T
06208-22004	K	M4	20	10	13	7	-	6,5
06208-22505	K	M5	25	12	16	8	-	9,5
06208-23206	K	M6	32	14	20	10	-	12
06208-24008	K	M8	40	18	25	13	-	14
06208-25010	K	M10	50	22	32	17	-	18

Overview of items

Order No.	Form	D	D1	D8	H	H3	L	T
06208-26312	K	M12	63	26	40	21	-	22
06208-28016	K	M16	80	35	50	25	-	30
06208-42505X15	L	M5	25	12	16	8	15	-
06208-42505X20	L	M5	25	12	16	8	20	-
06208-42505X25	L	M5	25	12	16	8	25	-
06208-43206X15	L	M6	32	14	20	10	15	-
06208-43206X20	L	M6	32	14	20	10	20	-
06208-43206X25	L	M6	32	14	20	10	25	-
06208-43206X30	L	M6	32	14	20	10	30	-
06208-44008X20	L	M8	40	18	25	13	20	-
06208-44008X25	L	M8	40	18	25	13	25	-
06208-44008X30	L	M8	40	18	25	13	30	-
06208-44008X35	L	M8	40	18	25	13	35	-
06208-44008X40	L	M8	40	18	25	13	40	-
06208-45010X25	L	M10	50	22	32	17	25	-
06208-45010X30	L	M10	50	22	32	17	30	-
06208-45010X35	L	M10	50	22	32	17	35	-
06208-45010X40	L	M10	50	22	32	17	40	-
06208-45010X50	L	M10	50	22	32	17	50	-
06208-46312X30	L	M12	63	26	40	21	30	-
06208-46312X35	L	M12	63	26	40	21	35	-
06208-46312X40	L	M12	63	26	40	21	40	-
06208-46312X50	L	M12	63	26	40	21	50	-
06208-46312X60	L	M12	63	26	40	21	60	-
06208-48016X30	L	M16	80	35	50	25	30	-
06208-48016X40	L	M16	80	35	50	25	40	-
06208-48016X50	L	M16	80	35	50	25	50	-
06208-48016X60	L	M16	80	35	50	25	60	-