

Item description/product images



Description

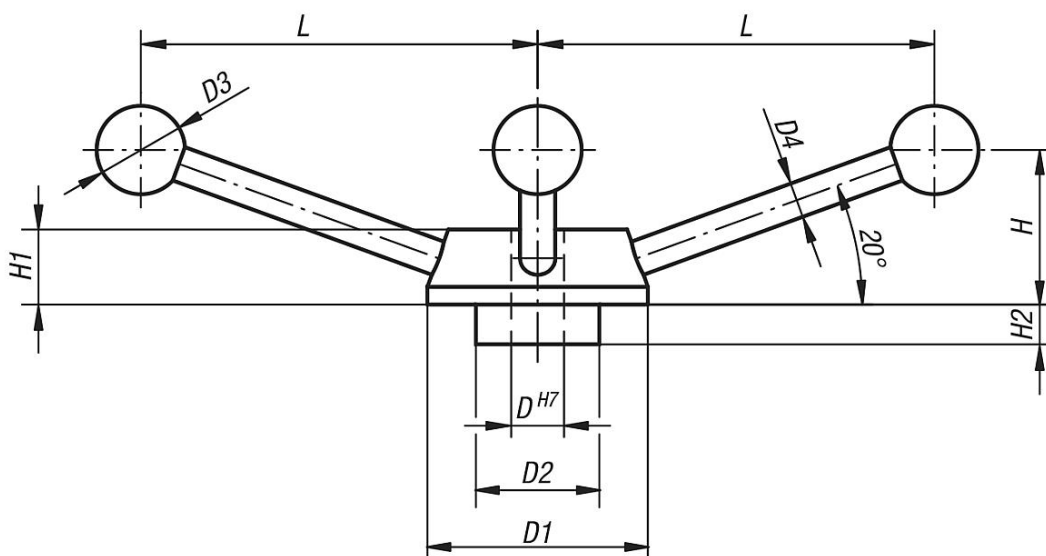
Material:

Wheel steel.
Ball knob thermoplastic.

Version:

Wheel black oxidised.
Ball knob black.

Drawings



Overview of items

Order No.	D	D1	D2	D3	D4	H	H1	H2	L
06235-120	12	50	28	20	8	35	17	9	90
06235-140	14	55	30	25	10	38	18	10	99
06235-160	16	65	35	30	12	45	20	12	119
06235-200	20	80	44	40	14	56	24	16	150