

Item description/product images



Description

Material:

Handwheel aluminium.
 Fixed grip aluminium, centre pin black oxidised steel.
 Revolving grip aluminium, centre pin trivalent blue passivated steel.

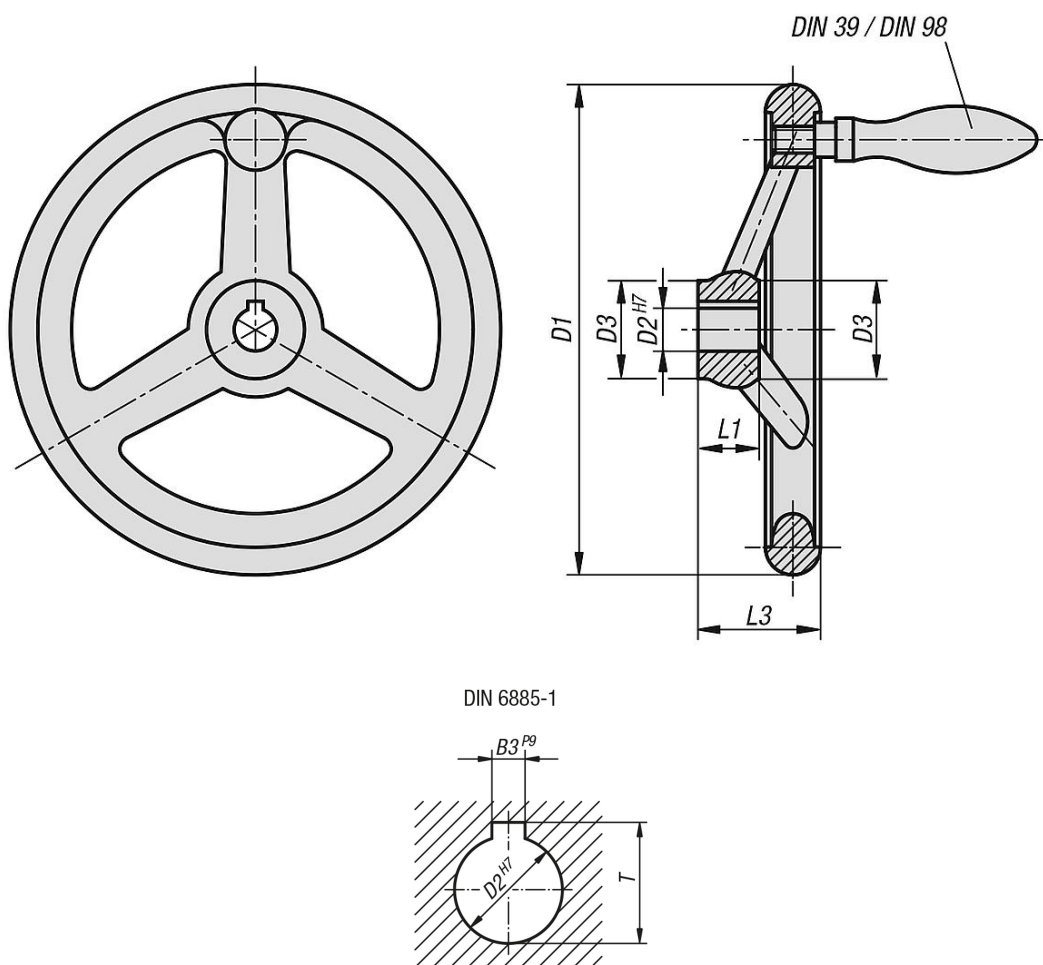
Version:

Wheel rim turned and polished.

On request:

Hubs with square socket or powder-coated handwheels.

Drawings



Overview of items

Handwheels DIN 950 aluminium, without grip

Order No.	Version 1	D1	D2	D3≈	L1	L3	B3	T	No. of spokes	fixed grip DIN 39 Form E	revolving grip DIN 98 Form E
06273-0080X10	reamed hole	80	10H7	24	16	29	-	-	3	-	-
06273-0080X12	reamed hole	80	12H7	24	16	29	-	-	3	-	-
06273-0100X10	reamed hole	100	10H7	26	17	33	-	-	3	-	-

Overview of items

Order No.	Version 1	D1	D2	D3≈	L1	L3	B3	T	No.of spokes	fixed grip DIN 39 Form E	revolving grip DIN 98 Form E
06273-0100X12	reamed hole	100	12H7	26	17	33	-	-	3	-	-
06273-0125X12	reamed hole	125	12H7	28	18	36	-	-	3	-	-
06273-0125X14	reamed hole	125	14H7	28	18	36	-	-	3	-	-
06273-0140X14	reamed hole	140	14H7	30	19	39	-	-	3	-	-
06273-0140X16	reamed hole	140	16H7	30	19	39	-	-	3	-	-
06273-0160X14	reamed hole	160	14H7	32	20	40	-	-	3	-	-
06273-0160X16	reamed hole	160	16H7	32	20	40	-	-	3	-	-
06273-0180X16	reamed hole	180	16H7	37	22	43	-	-	3	-	-
06273-0180X18	reamed hole	180	18H7	37	22	43	-	-	3	-	-
06273-0200X18	reamed hole	200	18H7	38	24	45	-	-	3	-	-
06273-0200X22	reamed hole	200	22H7	38	24	45	-	-	3	-	-
06273-0250X22	reamed hole	250	22H7	45	28	50	-	-	5	-	-
06273-0250X26	reamed hole	250	26H7	45	28	50	-	-	5	-	-
06273-0315X26	reamed hole	315	26H7	53	33	56	-	-	5	-	-
06273-0315X30	reamed hole	315	30H7	53	33	56	-	-	5	-	-
06273-0400X30	reamed hole	400	30H7	65	38	63	-	-	5	-	-
06273-0400X34	reamed hole	400	34H7	65	38	63	-	-	5	-	-
06273-0500X34	reamed hole	500	34H7	78	45	72	-	-	5	-	-
06273-0500X40	reamed hole	500	40H7	78	45	72	-	-	5	-	-
06273-1080X10	reamed hole with slot	80	10H7	24	16	29	3	11,4	3	-	-
06273-1080X12	reamed hole with slot	80	12H7	24	16	29	4	13,8	3	-	-
06273-1100X10	reamed hole with slot	100	10H7	26	17	33	3	11,4	3	-	-
06273-1100X12	reamed hole with slot	100	12H7	26	17	33	4	13,8	3	-	-
06273-1125X12	reamed hole with slot	125	12H7	28	18	36	4	13,8	3	-	-
06273-1125X14	reamed hole with slot	125	14H7	28	18	36	5	16,3	3	-	-
06273-1140X14	reamed hole with slot	140	14H7	30	19	39	5	16,3	3	-	-
06273-1140X16	reamed hole with slot	140	16H7	30	19	39	5	18,3	3	-	-
06273-1160X14	reamed hole with slot	160	14H7	32	20	40	5	16,3	3	-	-
06273-1160X16	reamed hole with slot	160	16H7	32	20	40	5	18,3	3	-	-
06273-1180X16	reamed hole with slot	180	16H7	37	22	43	5	18,3	3	-	-
06273-1180X18	reamed hole with slot	180	18H7	37	22	43	6	20,8	3	-	-
06273-1200X18	reamed hole with slot	200	18H7	38	24	45	6	20,8	3	-	-
06273-1200X22	reamed hole with slot	200	22H7	38	24	45	6	24,8	3	-	-
06273-1250X22	reamed hole with slot	250	22H7	45	28	50	6	24,8	5	-	-
06273-1250X26	reamed hole with slot	250	26H7	45	28	50	8	29,3	5	-	-
06273-1315X26	reamed hole with slot	315	26H7	53	33	56	8	29,3	5	-	-
06273-1315X30	reamed hole with slot	315	30H7	53	33	56	8	33,3	5	-	-
06273-1400X30	reamed hole with slot	400	30H7	65	38	63	8	33,3	5	-	-
06273-1400X34	reamed hole with slot	400	34H7	65	38	63	10	37,3	5	-	-
06273-1500X34	reamed hole with slot	500	34H7	78	45	72	10	37,3	5	-	-
06273-1500X40	reamed hole with slot	500	40H7	78	45	72	12	43,3	5	-	-
06273-2080X10	reamed hole	80	10H7	24	16	29	-	-	3	ø16 x M6 x 50	-
06273-2080X12	reamed hole	80	12H7	24	16	29	-	-	3	ø16 x M6 x 50	-
06273-2100X10	reamed hole	100	10H7	26	17	33	-	-	3	ø16 x M6 x 50	-
06273-2100X12	reamed hole	100	12H7	26	17	33	-	-	3	ø16 x M6 x 50	-
06273-2125X12	reamed hole	125	12H7	28	18	36	-	-	3	ø20 x M8 x 64	-
06273-2125X14	reamed hole	125	14H7	28	18	36	-	-	3	ø20 x M8 x 64	-
06273-2140X14	reamed hole	140	14H7	30	19	39	-	-	3	ø20 x M8 x 64	-
06273-2140X16	reamed hole	140	16H7	30	19	39	-	-	3	ø20 x M8 x 64	-
06273-2160X14	reamed hole	160	14H7	32	20	40	-	-	3	ø25 x M10 x 80	-
06273-2160X16	reamed hole	160	16H7	32	20	40	-	-	3	ø25 x M10 x 80	-
06273-2180X16	reamed hole	180	16H7	37	22	43	-	-	3	ø25 x M10 x 80	-
06273-2180X18	reamed hole	180	18H7	37	22	43	-	-	3	ø25 x M10 x 80	-
06273-2200X18	reamed hole	200	18H7	38	24	45	-	-	3	ø25 x M10 x 80	-
06273-2200X22	reamed hole	200	22H7	38	24	45	-	-	3	ø25 x M10 x 80	-
06273-2250X22	reamed hole	250	22H7	45	28	50	-	-	5	ø32 x M12 x 100	-
06273-2250X26	reamed hole	250	26H7	45	28	50	-	-	5	ø32 x M12 x 100	-
06273-2315X26	reamed hole	315	26H7	53	33	56	-	-	5	ø32 x M12 x 100	-
06273-2315X30	reamed hole	315	30H7	53	33	56	-	-	5	ø32 x M12 x 100	-
06273-2400X30	reamed hole	400	30H7	65	38	63	-	-	5	ø36 x M16 x 112	-
06273-2400X34	reamed hole	400	34H7	65	38	63	-	-	5	ø36 x M16 x 112	-
06273-2500X34	reamed hole	500	34H7	78	45	72	-	-	5	ø36 x M16 x 112	-
06273-2500X40	reamed hole	500	40H7	78	45	72	-	-	5	ø36 x M16 x 112	-
06273-3080X10	reamed hole with slot	80	10H7	24	16	29	3	11,4	3	ø16 x M6 x 50	-

Overview of items

Order No.	Version 1	D1	D2	D3≈	L1	L3	B3	T	No.of spokes	fixed grip DIN 39 Form E	revolving grip DIN 98 Form E
06273-3080X12	reamed hole with slot	80	12H7	24	16	29	4	13,8	3	ø16 x M6 x 50	-
06273-3100X10	reamed hole with slot	100	10H7	26	17	33	3	11,4	3	ø16 x M6 x 50	-
06273-3100X12	reamed hole with slot	100	12H7	26	17	33	4	13,8	3	ø16 x M6 x 50	-
06273-3125X12	reamed hole with slot	125	12H7	28	18	36	4	13,8	3	ø20 x M8 x 64	-
06273-3125X14	reamed hole with slot	125	14H7	28	18	36	5	16,3	3	ø20 x M8 x 64	-
06273-3140X14	reamed hole with slot	140	14H7	30	19	39	5	16,3	3	ø20 x M8 x 64	-
06273-3140X16	reamed hole with slot	140	16H7	30	19	39	5	18,3	3	ø20 x M8 x 64	-
06273-3160X14	reamed hole with slot	160	14H7	32	20	40	5	16,3	3	ø25 x M10 x 80	-
06273-3160X16	reamed hole with slot	160	16H7	32	20	40	5	18,3	3	ø25 x M10 x 80	-
06273-3180X16	reamed hole with slot	180	16H7	37	22	43	5	18,3	3	ø25 x M10 x 80	-
06273-3180X18	reamed hole with slot	180	18H7	37	22	43	6	20,8	3	ø25 x M10 x 80	-
06273-3200X18	reamed hole with slot	200	18H7	38	24	45	6	20,8	3	ø25 x M10 x 80	-
06273-3200X22	reamed hole with slot	200	22H7	38	24	45	6	24,8	3	ø25 x M10 x 80	-
06273-3250X22	reamed hole with slot	250	22H7	45	28	50	6	24,8	5	ø32 x M12 x 100	-
06273-3250X26	reamed hole with slot	250	26H7	45	28	50	8	29,3	5	ø32 x M12 x 100	-
06273-3315X26	reamed hole with slot	315	26H7	53	33	56	8	29,3	5	ø32 x M12 x 100	-
06273-3315X30	reamed hole with slot	315	30H7	53	33	56	8	33,3	5	ø32 x M12 x 100	-
06273-3400X30	reamed hole with slot	400	30H7	65	38	63	8	33,3	5	ø36 x M16 x 112	-
06273-3400X34	reamed hole with slot	400	34H7	65	38	63	10	37,3	5	ø36 x M16 x 112	-
06273-3500X34	reamed hole with slot	500	34H7	78	45	72	10	37,3	5	ø36 x M16 x 112	-
06273-3500X40	reamed hole with slot	500	40H7	78	45	72	12	43,3	5	ø36 x M16 x 112	-
06273-4080X10	reamed hole	80	10H7	24	16	29	-	-	3	-	ø16 x M6 x 54.5
06273-4080X12	reamed hole	80	12H7	24	16	29	-	-	3	-	ø16 x M6 x 54.5
06273-4100X10	reamed hole	100	10H7	26	17	33	-	-	3	-	ø16 x M6 x 54.5
06273-4100X12	reamed hole	100	12H7	26	17	33	-	-	3	-	ø16 x M6 x 54.5
06273-4125X12	reamed hole	125	12H7	28	18	36	-	-	3	-	ø20 x M8 x 67
06273-4125X14	reamed hole	125	14H7	28	18	36	-	-	3	-	ø20 x M8 x 67
06273-4140X14	reamed hole	140	14H7	30	19	39	-	-	3	-	ø20 x M8 x 67
06273-4140X16	reamed hole	140	16H7	30	19	39	-	-	3	-	ø20 x M8 x 67
06273-4160X14	reamed hole	160	14H7	32	20	40	-	-	3	-	ø25 x M10 x 83
06273-4160X16	reamed hole	160	16H7	32	20	40	-	-	3	-	ø25 x M10 x 83
06273-4180X16	reamed hole	180	16H7	37	22	43	-	-	3	-	ø25 x M10 x 83
06273-4180X18	reamed hole	180	18H7	37	22	43	-	-	3	-	ø25 x M10 x 83
06273-4200X18	reamed hole	200	18H7	38	24	45	-	-	3	-	ø25 x M10 x 83
06273-4200X22	reamed hole	200	22H7	38	24	45	-	-	3	-	ø25 x M10 x 83
06273-4250X22	reamed hole	250	22H7	45	28	50	-	-	5	-	ø32 x M12 x 105,5
06273-4250X26	reamed hole	250	26H7	45	28	50	-	-	5	-	ø32 x M12 x 105,5
06273-4315X26	reamed hole	315	26H7	53	33	56	-	-	5	-	ø32 x M12 x 105,5
06273-4315X30	reamed hole	315	30H7	53	33	56	-	-	5	-	ø32 x M12 x 105,5
06273-4400X30	reamed hole	400	30H7	65	38	63	-	-	5	-	ø36 x M16 x 117
06273-4400X34	reamed hole	400	34H7	65	38	63	-	-	5	-	ø36 x M16 x 117
06273-4500X34	reamed hole	500	34H7	78	45	72	-	-	5	-	ø36 x M16 x 117
06273-4500X40	reamed hole	500	40H7	78	45	72	-	-	5	-	ø36 x M16 x 117
06273-5080X10	reamed hole with slot	80	10H7	24	16	29	3	11,4	3	-	ø16 x M6 x 54.5
06273-5080X12	reamed hole with slot	80	12H7	24	16	29	4	13,8	3	-	ø16 x M6 x 54.5
06273-5100X10	reamed hole with slot	100	10H7	26	17	33	3	11,4	3	-	ø16 x M6 x 54.5
06273-5100X12	reamed hole with slot	100	12H7	26	17	33	4	13,8	3	-	ø16 x M6 x 54.5
06273-5125X12	reamed hole with slot	125	12H7	28	18	36	4	13,8	3	-	ø20 x M8 x 67
06273-5125X14	reamed hole with slot	125	14H7	28	18	36	5	16,3	3	-	ø20 x M8 x 67
06273-5140X14	reamed hole with slot	140	14H7	30	19	39	5	16,3	3	-	ø20 x M8 x 67
06273-5140X16	reamed hole with slot	140	16H7	30	19	39	5	18,3	3	-	ø20 x M8 x 67
06273-5160X14	reamed hole with slot	160	14H7	32	20	40	5	16,3	3	-	ø25 x M10 x 83
06273-5160X16	reamed hole with slot	160	16H7	32	20	40	5	18,3	3	-	ø25 x M10 x 83
06273-5180X16	reamed hole with slot	180	16H7	37	22	43	5	18,3	3	-	ø25 x M10 x 83
06273-5180X18	reamed hole with slot	180	18H7	37	22	43	6	20,8	3	-	ø25 x M10 x 83
06273-5200X18	reamed hole with slot	200	18H7	38	24	45	6	20,8	3	-	ø25 x M10 x 83
06273-5200X22	reamed hole with slot	200	22H7	38	24	45	6	24,8	3	-	ø25 x M10 x 83
06273-5250X22	reamed hole with slot	250	22H7	45	28	50	6	24,8	5	-	ø32 x M12 x 105,5
06273-5250X26	reamed hole with slot	250	26H7	45	28	50	8	29,3	5	-	ø32 x M12 x 105,5
06273-5315X26	reamed hole with slot	315	26H7	53	33	56	8	29,3	5	-	ø32 x M12 x 105,5
06273-5315X30	reamed hole with slot	315	30H7	53	33	56	8	33,3	5	-	ø32 x M12 x 105,5
06273-5400X30	reamed hole with slot	400	30H7	65	38	63	8	33,3	5	-	ø36 x M16 x 117
06273-5400X34	reamed hole with slot	400	34H7	65	38	63	10	37,3	5	-	ø36 x M16 x 117
06273-5500X34	reamed hole with slot	500	34H7	78	45	72	10	37,3	5	-	ø36 x M16 x 117

Overview of items

Order No.	Version 1	D1	D2	D3 \approx	L1	L3	B3	T	No. of spokes	fixed grip DIN 39 Form E	revolving grip DIN 98 Form E
06273-5500X40	reamed hole with slot	500	40H7	78	45	72	12	43,3	5	-	\varnothing 36 x M16 x 117