

Item description/product images



Description

Material:

Thermoset PF 31, black.
 Centre pin nickel-plated steel or bright 1.4305 stainless steel.
 Snap ring 1.4310 stainless steel.

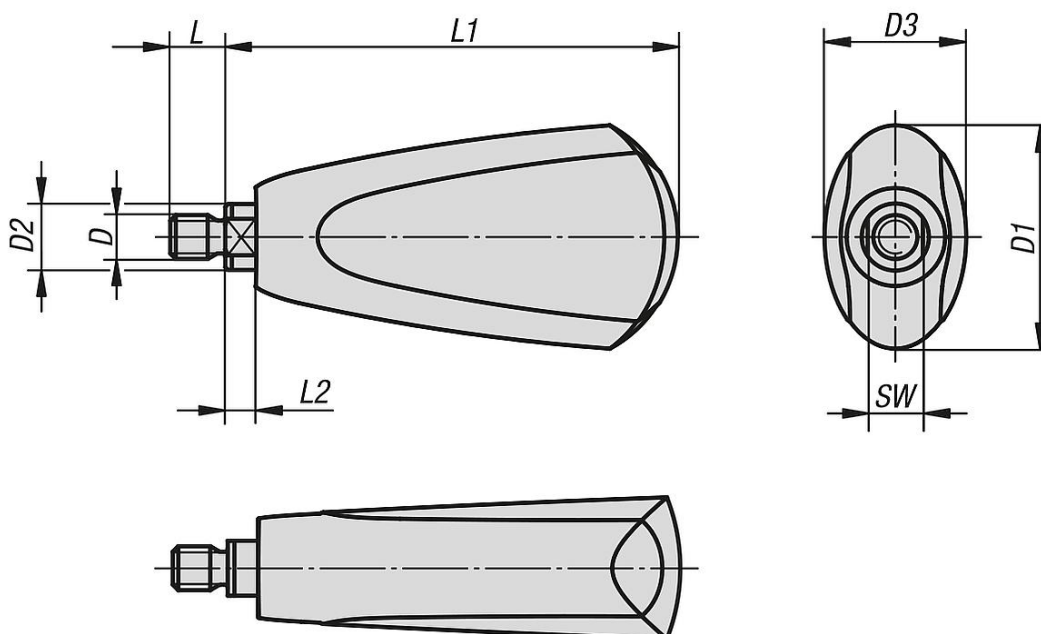
Version:

High-gloss polished.

Note:

The grips are suitable for disc handwheels with revolving taper grip 06287.

Drawings



Overview of items

Order No. steel	Order No. stainless steel	D	D1	D2	D3	L	L1	L2	SW
06316-106009	06316-1106009	M6	25	8	18	9	54,7	4,5	7
06316-208010	06316-1208010	M8	41	12	26	10	82,2	5,5	10