

Item description/product images



Description

Material:

Steel parts grade 5.8.
Ball knob black plastic.

Version:

Black oxidised.

Note:

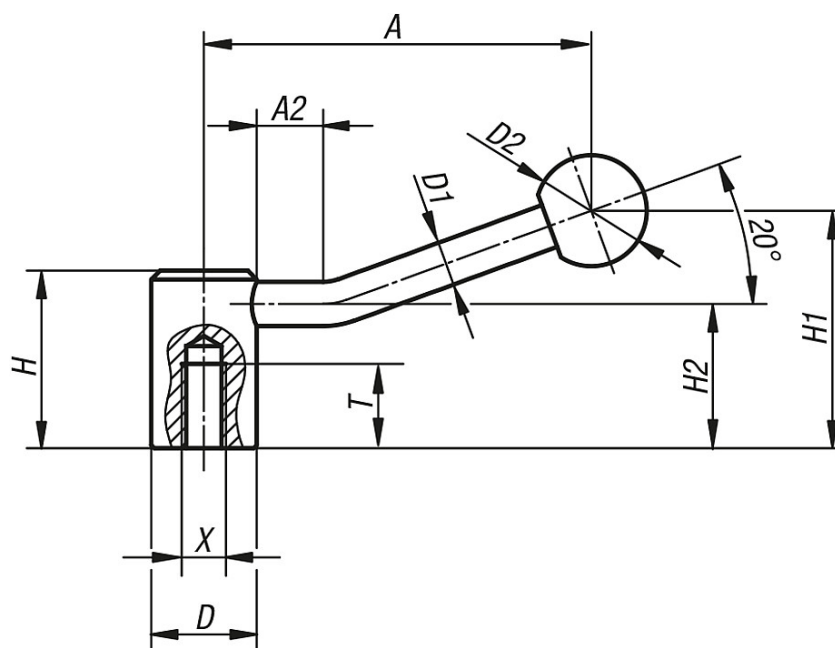
Tension levers can be used for simple clamping or control operations.
Where applicable, there must be enough space available so that the grip can be rotated 360°.

On request:

Other internal threads, reamed holes and special versions.
Dimension "A" available in other lengths at extra charge.

Drawings

tapped hole



Overview of items

| Order No. | Version | Size | X | T | D | D1 | D2 | H | H1 | H2 | A | A2 |
|-----------|-----------------|------|-----|----|----|----|----|----|------|------|------|----|
| 06340-208 | internal thread | 1 | M8 | 18 | 24 | 10 | 25 | 40 | 52,5 | 32,5 | 84,5 | 15 |
| 06340-210 | internal thread | 1 | M10 | 19 | 24 | 10 | 25 | 40 | 52,5 | 32,5 | 84,5 | 15 |
| 06340-212 | internal thread | 2 | M12 | 20 | 28 | 12 | 32 | 46 | 61 | 36,5 | 100 | 15 |
| 06340-216 | internal thread | 3 | M16 | 23 | 33 | 13 | 32 | 52 | 72 | 41 | 121 | 15 |
| 06340-220 | internal thread | 4 | M20 | 26 | 41 | 13 | 32 | 61 | 80 | 49 | 123 | 15 |