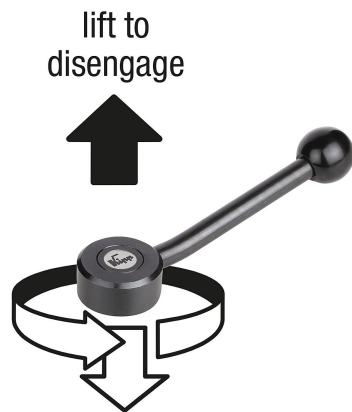
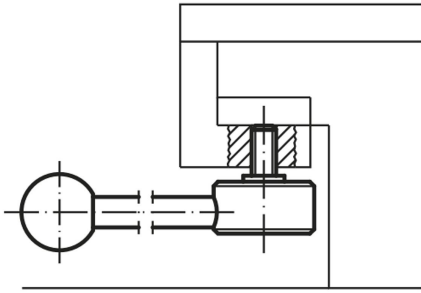


## Item description/product images

**Description****Material:**

Steel parts grade 5.8.  
Ball knob black plastic.

**Version:**

Black oxidised.

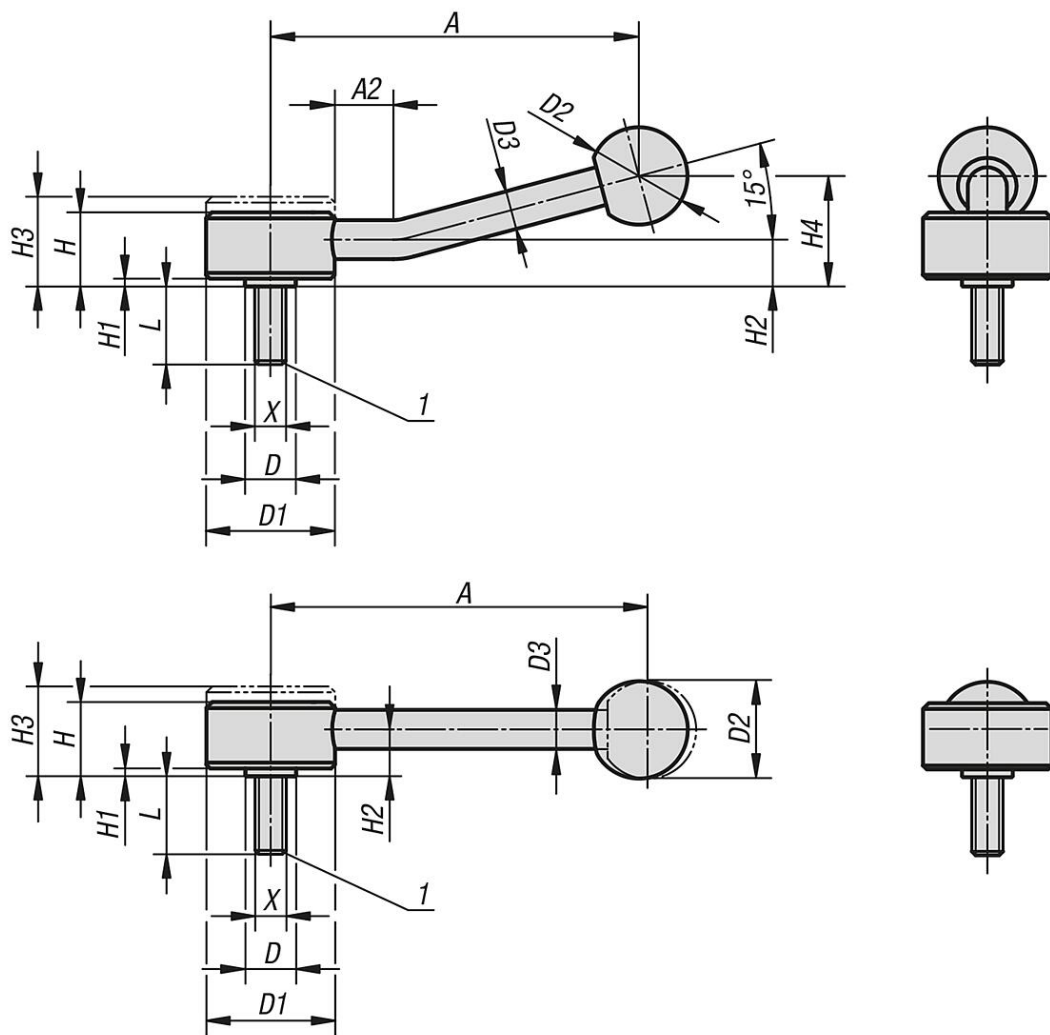
**On request:**

Other threads, screw lengths and special versions.  
Dimensions "H1" and "A" available in other lengths at extra charge.

**Drawing reference:**

1) flat point DIN EN ISO 4753

Drawings



Overview of items

Order No.	Form	X	L	A=Handle length	A2	D	D1	D2	D3	H	H1	H2	H3	H4	No. of teeth
06400-1081X15	0°	M8	15	102	-	13,5	33	25	10	19	2	12	23	-	20
06400-1081X20	0°	M8	20	102	-	13,5	33	25	10	19	2	12	23	-	20
06400-1081X25	0°	M8	25	102	-	13,5	33	25	10	19	2	12	23	-	20
06400-1081X30	0°	M8	30	102	-	13,5	33	25	10	19	2	12	23	-	20
06400-1081X40	0°	M8	40	102	-	13,5	33	25	10	19	2	12	23	-	20
06400-1081X50	0°	M8	50	102	-	13,5	33	25	10	19	2	12	23	-	20
06400-1081X60	0°	M8	60	102	-	13,5	33	25	10	19	2	12	23	-	20
06400-1101X15	0°	M10	15	102	-	13,5	33	25	10	19	2	12	23	-	20
06400-1101X20	0°	M10	20	102	-	13,5	33	25	10	19	2	12	23	-	20
06400-1101X25	0°	M10	25	102	-	13,5	33	25	10	19	2	12	23	-	20
06400-1101X30	0°	M10	30	102	-	13,5	33	25	10	19	2	12	23	-	20
06400-1101X40	0°	M10	40	102	-	13,5	33	25	10	19	2	12	23	-	20
06400-1101X50	0°	M10	50	102	-	13,5	33	25	10	19	2	12	23	-	20
06400-1101X60	0°	M10	60	102	-	13,5	33	25	10	19	2	12	23	-	20
06400-2101X20	0°	M10	20	131	-	19	41	30	12	22	2	13,5	26	-	24
06400-2101X25	0°	M10	25	131	-	19	41	30	12	22	2	13,5	26	-	24
06400-2101X30	0°	M10	30	131	-	19	41	30	12	22	2	13,5	26	-	24
06400-2101X40	0°	M10	40	131	-	19	41	30	12	22	2	13,5	26	-	24
06400-2101X50	0°	M10	50	131	-	19	41	30	12	22	2	13,5	26	-	24

## Overview of items

Order No.	Form	X	L	A=Handle length	A2	D	D1	D2	D3	H	H1	H2	H3	H4	No. of teeth
06400-2101X60	0°	M10	60	131	-	19	41	30	12	22	2	13,5	26	-	24
06400-2121X20	0°	M12	20	131	-	19	41	30	12	22	2	13,5	26	-	24
06400-2121X25	0°	M12	25	131	-	19	41	30	12	22	2	13,5	26	-	24
06400-2121X30	0°	M12	30	131	-	19	41	30	12	22	2	13,5	26	-	24
06400-2121X40	0°	M12	40	131	-	19	41	30	12	22	2	13,5	26	-	24
06400-2121X50	0°	M12	50	131	-	19	41	30	12	22	2	13,5	26	-	24
06400-2121X60	0°	M12	60	131	-	19	41	30	12	22	2	13,5	26	-	24
06400-3121X20	0°	M12	20	148	-	23	45	37	14	28	2	17	33	-	26
06400-3121X25	0°	M12	25	148	-	23	45	37	14	28	2	17	33	-	26
06400-3121X30	0°	M12	30	148	-	23	45	37	14	28	2	17	33	-	26
06400-3121X40	0°	M12	40	148	-	23	45	37	14	28	2	17	33	-	26
06400-3121X50	0°	M12	50	148	-	23	45	37	14	28	2	17	33	-	26
06400-3121X60	0°	M12	60	148	-	23	45	37	14	28	2	17	33	-	26
06400-3161X20	0°	M16	20	148	-	23	45	37	14	28	2	17	33	-	26
06400-3161X25	0°	M16	25	148	-	23	45	37	14	28	2	17	33	-	26
06400-3161X30	0°	M16	30	148	-	23	45	37	14	28	2	17	33	-	26
06400-3161X40	0°	M16	40	148	-	23	45	37	14	28	2	17	33	-	26
06400-3161X50	0°	M16	50	148	-	23	45	37	14	28	2	17	33	-	26
06400-3161X60	0°	M16	60	148	-	23	45	37	14	28	2	17	33	-	26
06400-1082X15	15°	M8	15	100	15	13,5	33	25	10	19	2	12	23	29	20
06400-1082X20	15°	M8	20	100	15	13,5	33	25	10	19	2	12	23	29	20
06400-1082X25	15°	M8	25	100	15	13,5	33	25	10	19	2	12	23	29	20
06400-1082X30	15°	M8	30	100	15	13,5	33	25	10	19	2	12	23	29	20
06400-1082X40	15°	M8	40	100	15	13,5	33	25	10	19	2	12	23	29	20
06400-1082X50	15°	M8	50	100	15	13,5	33	25	10	19	2	12	23	29	20
06400-1082X60	15°	M8	60	100	15	13,5	33	25	10	19	2	12	23	29	20
06400-1102X15	15°	M10	15	100	15	13,5	33	25	10	19	2	12	23	29	20
06400-1102X20	15°	M10	20	100	15	13,5	33	25	10	19	2	12	23	29	20
06400-1102X25	15°	M10	25	100	15	13,5	33	25	10	19	2	12	23	29	20
06400-1102X30	15°	M10	30	100	15	13,5	33	25	10	19	2	12	23	29	20
06400-1102X40	15°	M10	40	100	15	13,5	33	25	10	19	2	12	23	29	20
06400-1102X50	15°	M10	50	100	15	13,5	33	25	10	19	2	12	23	29	20
06400-1102X60	15°	M10	60	100	15	13,5	33	25	10	19	2	12	23	29	20
06400-2102X20	15°	M10	20	127	15	19	41	30	12	22	2	13,5	26	38	24
06400-2102X25	15°	M10	25	127	15	19	41	30	12	22	2	13,5	26	38	24
06400-2102X30	15°	M10	30	127	15	19	41	30	12	22	2	13,5	26	38	24
06400-2102X40	15°	M10	40	127	15	19	41	30	12	22	2	13,5	26	38	24
06400-2102X50	15°	M10	50	127	15	19	41	30	12	22	2	13,5	26	38	24
06400-2102X60	15°	M10	60	127	15	19	41	30	12	22	2	13,5	26	38	24
06400-2122X20	15°	M12	20	127	15	19	41	30	12	22	2	13,5	26	38	24
06400-2122X25	15°	M12	25	127	15	19	41	30	12	22	2	13,5	26	38	24
06400-2122X30	15°	M12	30	127	15	19	41	30	12	22	2	13,5	26	38	24
06400-2122X40	15°	M12	40	127	15	19	41	30	12	22	2	13,5	26	38	24
06400-2122X50	15°	M12	50	127	15	19	41	30	12	22	2	13,5	26	38	24
06400-2122X60	15°	M12	60	127	15	19	41	30	12	22	2	13,5	26	38	24
06400-3122X20	15°	M12	20	145	15	23	45	37	14	28	2	17	33	48	26
06400-3122X25	15°	M12	25	145	15	23	45	37	14	28	2	17	33	48	26
06400-3122X30	15°	M12	30	145	15	23	45	37	14	28	2	17	33	48	26
06400-3122X40	15°	M12	40	145	15	23	45	37	14	28	2	17	33	48	26
06400-3122X50	15°	M12	50	145	15	23	45	37	14	28	2	17	33	48	26
06400-3122X60	15°	M12	60	145	15	23	45	37	14	28	2	17	33	48	26
06400-3162X20	15°	M16	20	145	15	23	45	37	14	28	2	17	33	48	26
06400-3162X25	15°	M16	25	145	15	23	45	37	14	28	2	17	33	48	26
06400-3162X30	15°	M16	30	145	15	23	45	37	14	28	2	17	33	48	26
06400-3162X40	15°	M16	40	145	15	23	45	37	14	28	2	17	33	48	26
06400-3162X50	15°	M16	50	145	15	23	45	37	14	28	2	17	33	48	26
06400-3162X60	15°	M16	60	145	15	23	45	37	14	28	2	17	33	48	26

