

Item description/product images



Description

Material:

Housing carbon steel, tension nut and tension pin case-hardened steel.

Version:

Black oxidised.

Matt-finished or high-polish chrome-plated versions available at extra charge.

Note:

Tension Pin A standard version (for ratchet action):

Use for clamping and releasing in limited space and when considerable travel is involved. In order to change the tightening direction, the handle must be reversed by 180°.

Tension Pin B special version:

Use for clamping and releasing in limited space and when short travel is involved. The handle is not reversed in order to change the tightening direction. It must be pulled out before it can be engaged in the next slot.

Clamp with H7 reamed hole and DIN 6885/1 keyway.

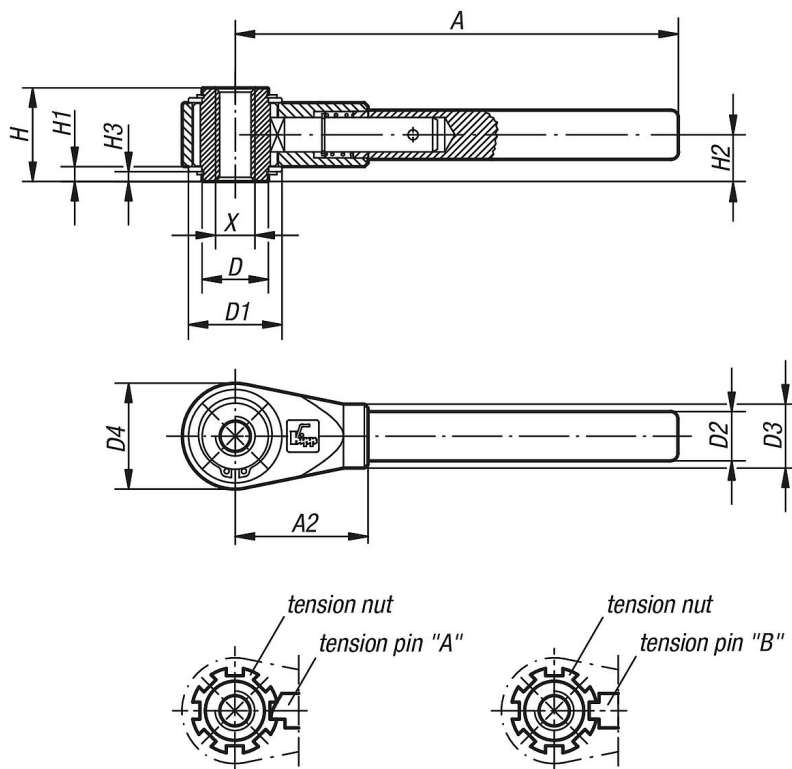
On request:

Other thread, reamed hole and square socket sizes.

Dimension "A" available in other lengths at extra charge.

Special version: Tension pin B.

Drawings



Overview of items

Order No.	Kind of fastening	Size	X	A=Handle length	A2	D	D1	D2	D3	D4	H	H1	H2	H3	No. of index slots
06470-310	internal thread	1	M10	150	48	22	33	17	22	36	31	4,5	15,5	3	7
06470-312	internal thread	1	M12	150	48	22	33	17	22	36	31	4,5	15,5	3	7
06470-314	internal thread	2	M14	180	54	27	38	20	26	43	38	6	19	4	8
06470-316	internal thread	2	M16	180	54	27	38	20	26	43	38	6	19	4	8
06470-318	internal thread	3	M18	230	70	35	45	24	30	51	42	6	21	4	8
06470-320	internal thread	3	M20	230	70	35	45	24	30	51	42	6	21	4	8
06470-322	internal thread	4	M22	300	80	42	56	28	35	61	47	6	23,5	4	9
06470-324	internal thread	4	M24	300	80	42	56	28	35	61	47	6	23,5	4	9
06470-327	internal thread	4	M27	300	80	42	56	28	35	61	47	6	23,5	4	9
06470-330	internal thread	5	M30	400	110	60	75	32	38	82	53	7,5	26,5	5	11
06470-336	internal thread	5	M36	400	110	60	75	32	38	82	53	7,5	26,5	5	11
06470-342	internal thread	5	M42	400	110	60	75	32	38	82	53	7,5	26,5	5	11