

Item description/product images

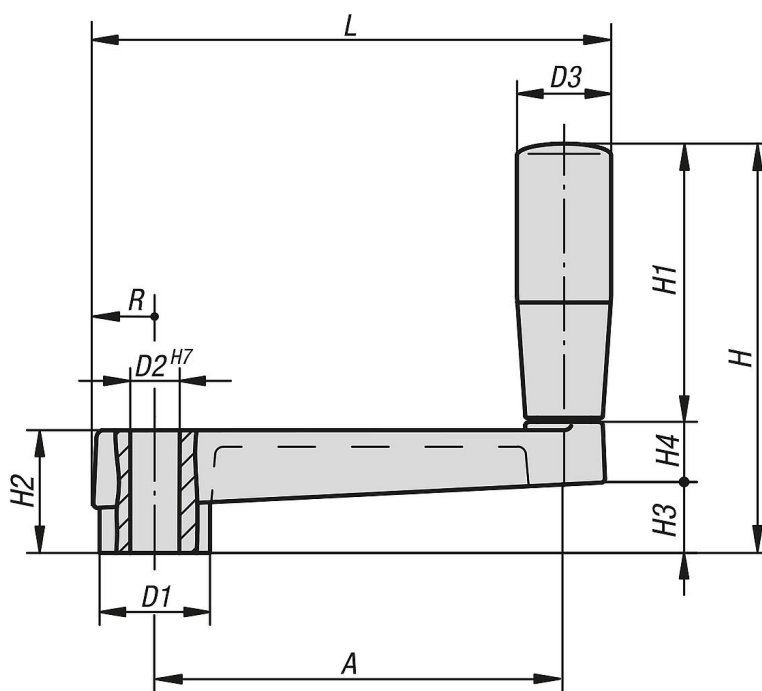


Description

Material:
Aluminium.
Grip thermoplastic.

Version:
Arm powder-coated, black.
Grip black.

Drawings



Overview of items

Order No.	A	D1	D2	D3	H	H1	H2	H3	H4	L	R
06492-100	80	23	10	21	81	53	24	14	14	103,5	13
06492-120	100	27	12	23	100	68	28	17	15	126,5	15
06492-140	125	32	14	26	123	83	34	22	18	155,5	17,5