

## Item description/product images



## Description

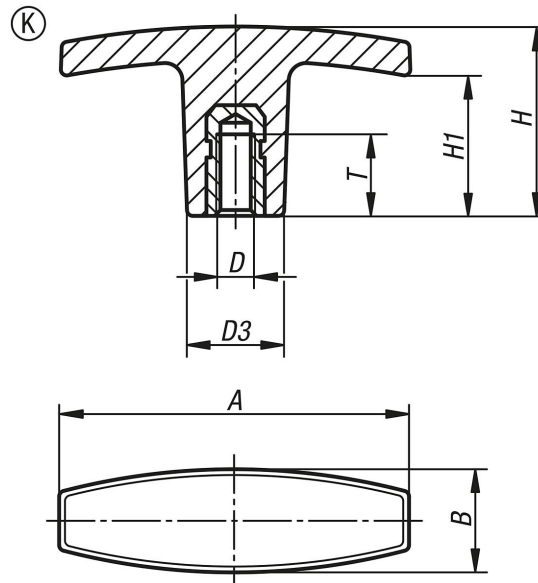
**Material, version:**

Glass-fibre reinforced thermoplastic, black  
Threaded bush in brass.

**On request:**

Grip colour red, yellow, green, blue, white or grey (min. quantity 1000).

## Drawings



## Overview of items

Order No.	Form	A	B	D	D3	H	H1	T
06649-14005	K	40	13	M5	13	30,5	20	10
06649-15005	K	50	15	M5	14	24	16	10
06649-16006	K	60	17	M6	16	31,5	23	12
06649-17108	K	71	19,5	M8	20	36	19	20
06649-17110	K	71	19,5	M10	20	36	19	20
06649-18010	K	80	26	M10	26	39,5	26	25
06649-18012	K	80	26	M12	26	39,5	26	25