

## Item description/product images



## Description

**Material:**

Black thermoset PF 31.

Bush electro zinc-plated steel.

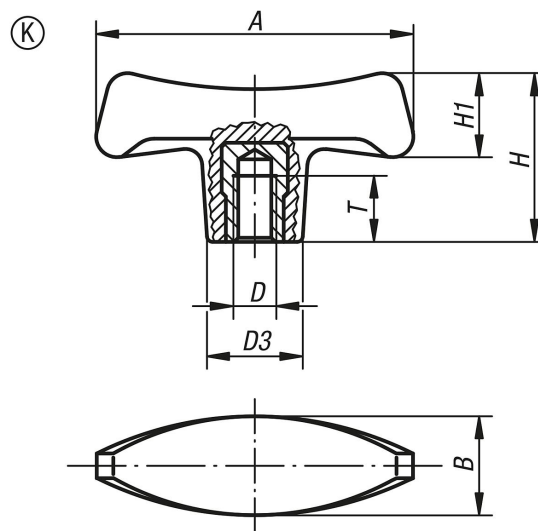
**Version:**

High-gloss polished.

**On request:**

Other colours.

## Drawings



## Overview of items

Order No.	Form	A	B	D	D3	H	H1	T
06650-17006	K	70	22	M6	19,6	38,8	20,2	12
06650-17008	K	70	22	M8	19,6	38,8	20,2	14
06650-17010	K	70	22	M10	19,6	38,8	20,2	14
06650-18008	K	80	25	M8	22,3	44	23	14
06650-18010	K	80	25	M10	22,3	44	23	22
06650-19010	K	90	28	M10	25	49,6	26	22
06650-19012	K	90	28	M12	25	49,6	26	21