

Item description/product images



Description

Material:

Stainless steel 1.4308.

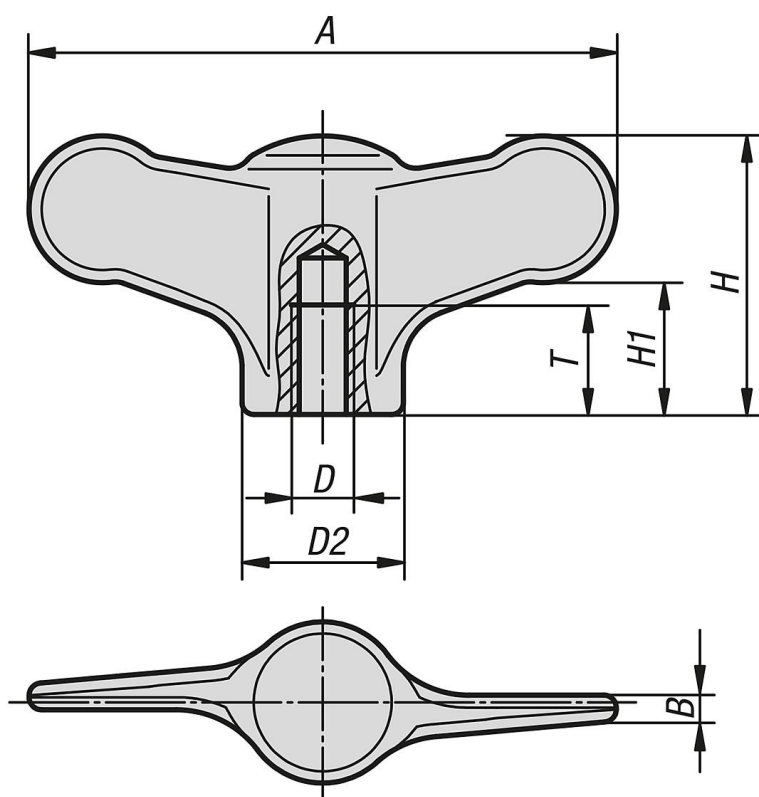
Version:

Abrasive blasted or ground and polished.

On request:

With external threads.

Drawings



Overview of items

Order No.	Main colour	A	B	D	D2	H	H1	T
06651-904	polished	38	1,7	M4	10,5	18	8,5	9
06651-905	polished	38	1,7	M5	10,5	18	8,5	9
06651-906	polished	38	1,7	M6	10,5	18	8,5	9
06651-105	polished	50	2,3	M5	14	24	11,5	12
06651-106	polished	50	2,3	M6	14	24	11,5	12
06651-208	polished	75	3,4	M8	21	35	16,5	15
06651-210	polished	75	3,4	M10	21	35	16,5	15
06651-9041	blasted	38	1,7	M4	10,5	18	8,5	9
06651-9051	blasted	38	1,7	M5	10,5	18	8,5	9
06651-9061	blasted	38	1,7	M6	10,5	18	8,5	9
06651-1051	blasted	50	2,3	M5	14	24	11,5	12
06651-1061	blasted	50	2,3	M6	14	24	11,5	12
06651-2081	blasted	75	3,4	M8	21	35	16,5	15

Overview of items

Order No.	Main colour	A	B	D	D2	H	H1	T
06651-2101	blasted	75	3,4	M10	21	35	16,5	15