

Item description/product images



Description

Material:

Grip black grey thermoplastic.
 Bush brass or stainless steel 1.4305.
 Screw steel 5.8 or stainless steel 1.4305.

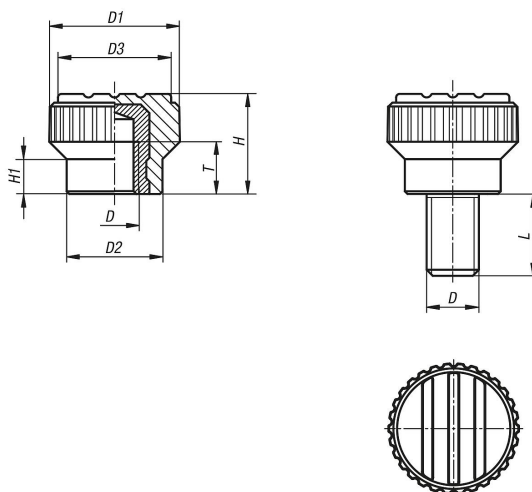
Version:

Steel trivalent blue passivated.
 Stainless steel, bright.

On request:

Other colours.

Drawings



Overview of items

Knurled knobs with internal thread

Order No.	Thread type	Component material	D	D1	D2	D3	H	H1	T	L
06094-003	internal thread	brass	M3	15	11	13	11,5	4,3	4,5	-
06094-004	internal thread	brass	M4	15	11	13	11,5	4,3	6	-
06094-005	internal thread	brass	M5	15	11	13	11,5	4,3	6	-
06094-0003	internal thread	stainless steel	M3	15	11	13	11,5	4,3	4,5	-
06094-0004	internal thread	stainless steel	M4	15	11	13	11,5	4,3	6	-
06094-0005	internal thread	stainless steel	M5	15	11	13	11,5	4,3	6	-
06094-003X8	external thread	steel	M3	15	11	13	11,5	4,3	-	8
06094-003X10	external thread	steel	M3	15	11	13	11,5	4,3	-	10
06094-003X12	external thread	steel	M3	15	11	13	11,5	4,3	-	12
06094-003X15	external thread	steel	M3	15	11	13	11,5	4,3	-	15
06094-004X8	external thread	steel	M4	15	11	13	11,5	4,3	-	8
06094-004X10	external thread	steel	M4	15	11	13	11,5	4,3	-	10
06094-004X12	external thread	steel	M4	15	11	13	11,5	4,3	-	12
06094-004X15	external thread	steel	M4	15	11	13	11,5	4,3	-	15
06094-005X10	external thread	steel	M5	15	11	13	11,5	4,3	-	10
06094-005X12	external thread	steel	M5	15	11	13	11,5	4,3	-	12
06094-005X15	external thread	steel	M5	15	11	13	11,5	4,3	-	15
06094-005X20	external thread	steel	M5	15	11	13	11,5	4,3	-	20
06094-006X10	external thread	steel	M6	15	11	13	11,5	4,3	-	10
06094-006X15	external thread	steel	M6	15	11	13	11,5	4,3	-	15
06094-006X20	external thread	steel	M6	15	11	13	11,5	4,3	-	20

Overview of items

Order No.	Thread type	Component material	D	D1	D2	D3	H	H1	T	L
06094-006X25	external thread	steel	M6	15	11	13	11,5	4,3	-	25
06094-0003X8	external thread	stainless steel	M3	15	11	13	11,5	4,3	-	8
06094-0003X10	external thread	stainless steel	M3	15	11	13	11,5	4,3	-	10
06094-0003X12	external thread	stainless steel	M3	15	11	13	11,5	4,3	-	12
06094-0003X15	external thread	stainless steel	M3	15	11	13	11,5	4,3	-	15
06094-0004X8	external thread	stainless steel	M4	15	11	13	11,5	4,3	-	8
06094-0004X10	external thread	stainless steel	M4	15	11	13	11,5	4,3	-	10
06094-0004X12	external thread	stainless steel	M4	15	11	13	11,5	4,3	-	12
06094-0004X15	external thread	stainless steel	M4	15	11	13	11,5	4,3	-	15
06094-0005X10	external thread	stainless steel	M5	15	11	13	11,5	4,3	-	10
06094-0005X12	external thread	stainless steel	M5	15	11	13	11,5	4,3	-	12
06094-0005X15	external thread	stainless steel	M5	15	11	13	11,5	4,3	-	15
06094-0005X20	external thread	stainless steel	M5	15	11	13	11,5	4,3	-	20
06094-0006X10	external thread	stainless steel	M6	15	11	13	11,5	4,3	-	10
06094-0006X15	external thread	stainless steel	M6	15	11	13	11,5	4,3	-	15
06094-0006X20	external thread	stainless steel	M6	15	11	13	11,5	4,3	-	20
06094-0006X25	external thread	stainless steel	M6	15	11	13	11,5	4,3	-	25