

## Item description/product images



## Description

**Material:**

Thermoset PF 31, black.

Bushes brass or electro zinc-plated steel.

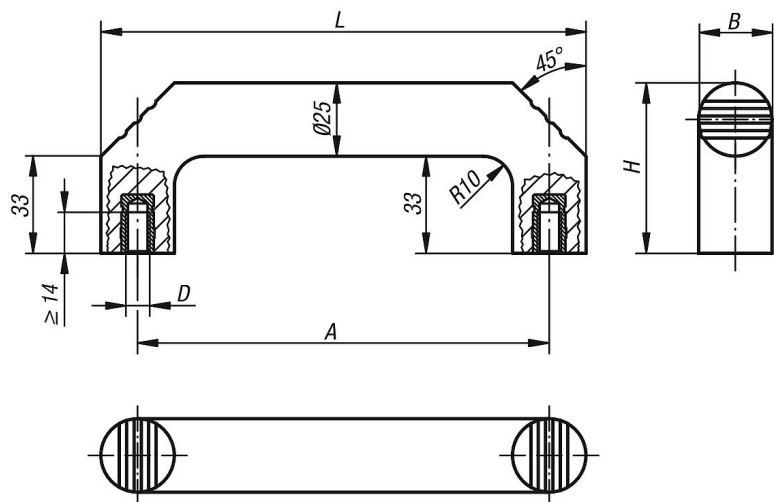
**Version:**

High-gloss polished.

**Assembly:**

From the rear.

## Drawings



## Overview of items

Order No.	Component material	A	B	D	H	L	Load capacity N
06901-114008	brass	140	25	M8	58	165	500
06901-214008	steel	140	25	M8	58	165	500

