

Item description/product images



Description

Material:

Grip glass-bead reinforced thermoplastic.
Bushing brass.

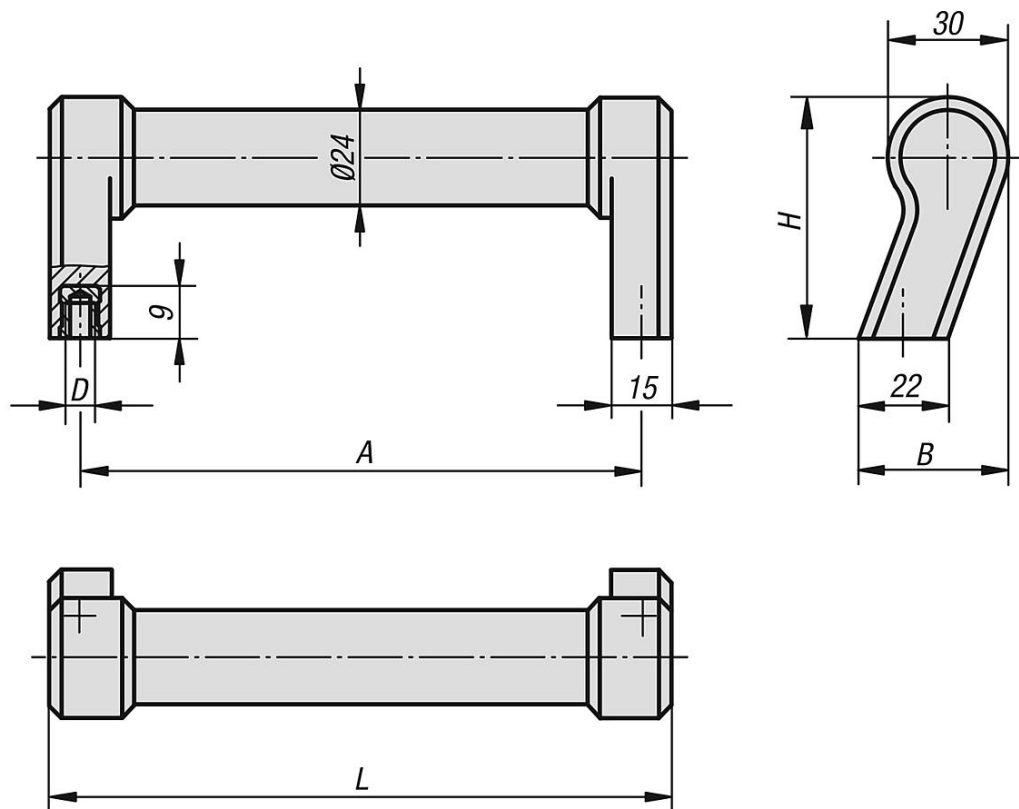
Version:

Matt black or light grey

Note:

Oblique, robust polyamide handle. Tube and legs form one unit. The oblique contact faces allow mounting under cramped conditions e.g. in corners.

Drawings



Overview of items

Order No.	Main colour	A	B	D	H	L	Load capacity N
06912-140061	black grey RAL 7021	140	37	M6	60	155	1000
06912-140062	light grey RAL 7035	140	37	M6	60	155	1000

