

## Item description/product images

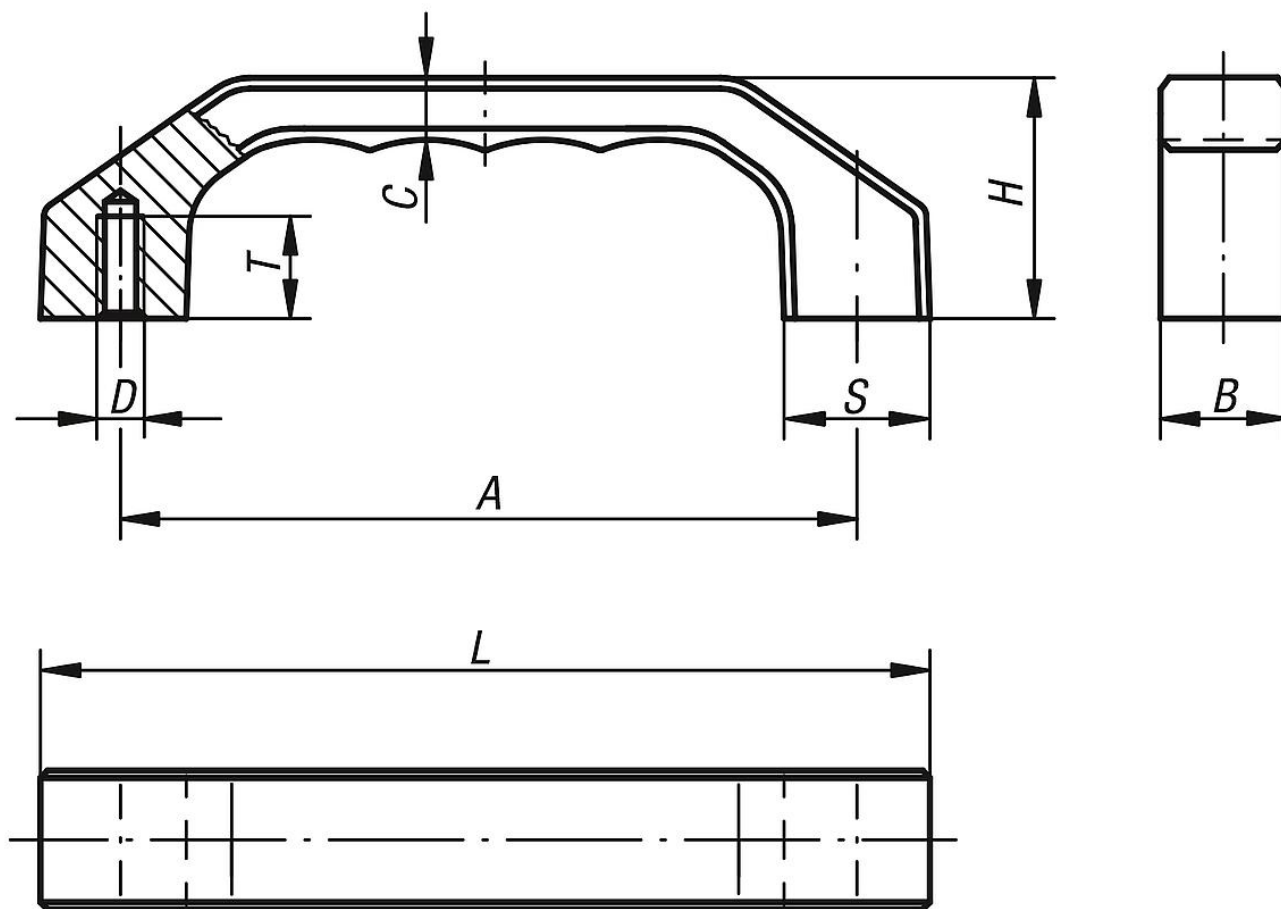


## Description

**Material:**  
EN AW-6060

**Version:**  
Matt-finished and anodised or powder-coated

## Drawings



## Overview of items

Order No. natural	Order No. black	Order No. titanium	A	B	C	D	H	L	S	T	Load capacity N
06915-120061	-	06915-120063	120	22	10,5	M6	39	146	24	15	1000
-	06915-120062	-	120	22	10,5	M6	39	146	24	12	1000
06915-140081	06915-140082	06915-140083	140	25	12	M8	45	170	28	16	1000
06915-160081	06915-160082	06915-160083	160	28	13,5	M8	52	194	32	16	1000

Overview of items

---