

Item description/product images



Description

Material:

Grip aluminium EN AW-6060.
 Legs polyamide glass-bead reinforced.
 Bushing brass.
 Clamping sleeves stainless steel.

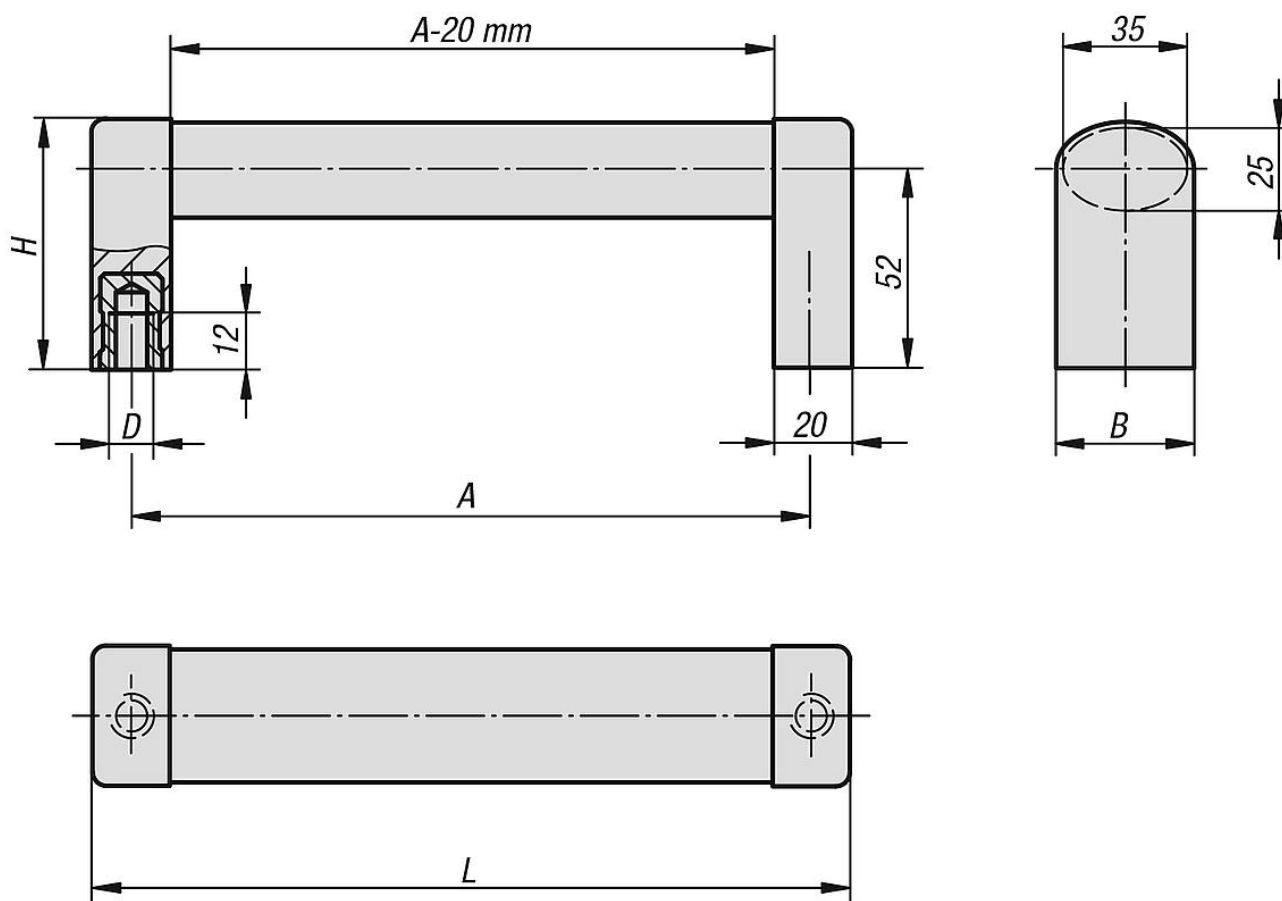
Version:

Grip natural colour or black anodised.
 Legs aluminium colour or black.

Note:

Oval-profile handles for joining together. Version with plastic legs and aluminium oval grip.

Drawings



Overview of items

Order No.	Main colour	Component colour	A	B	D	H	L	Load capacity N
06927-1200081	natural	aluminium tone	200	36	M8	65	220	1000
06927-1250081	natural	aluminium tone	250	36	M8	65	270	1000
06927-1300081	natural	aluminium tone	300	36	M8	65	320	1000
06927-1400081	natural	aluminium tone	400	36	M8	65	420	1000

Overview of items

Order No.	Main colour	Component colour	A	B	D	H	L	Load capacity N
06927-1500081	natural	aluminium tone	500	36	M8	65	520	1000
06927-1200082	natural	black	200	36	M8	65	220	1000
06927-1250082	natural	black	250	36	M8	65	270	1000
06927-1300082	natural	black	300	36	M8	65	320	1000
06927-1400082	natural	black	400	36	M8	65	420	1000
06927-1500082	natural	black	500	36	M8	65	520	1000
06927-1200083	black	black	200	36	M8	65	220	1000
06927-1250083	black	black	250	36	M8	65	270	1000
06927-1300083	black	black	300	36	M8	65	320	1000
06927-1400083	black	black	400	36	M8	65	420	1000
06927-1500083	black	black	500	36	M8	65	520	1000