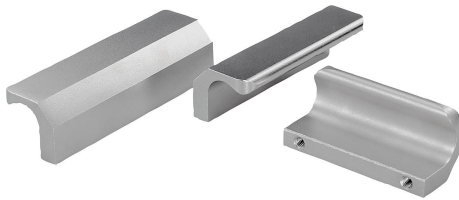


Item description/product images



Description

Material:

Profile stainless steel 1.4404.

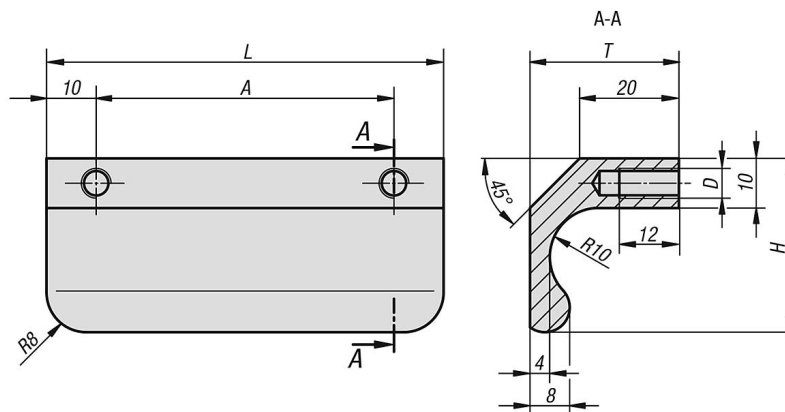
Version:

Abrasive cleaned and matt-gloss electropolished.

On request:

Any other lengths.

Drawings



Overview of items

Order No.	A	D	H	L	T	Load capacity N
06951-06006	60	M6	35	80	30	1000
06951-08006	80	M6	35	100	30	1000
06951-10006	100	M6	35	120	30	1000
06951-13006	130	M6	35	150	30	1000