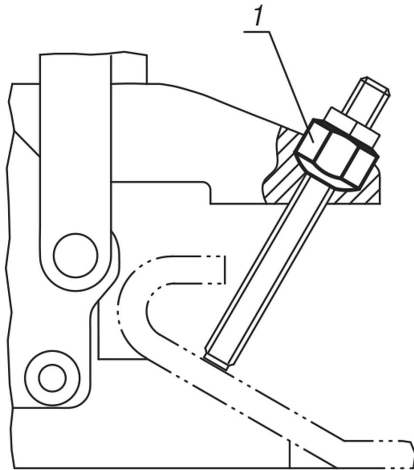


## Item description/product images



## Description

**Material:**

Steel or stainless steel.

**Version:**

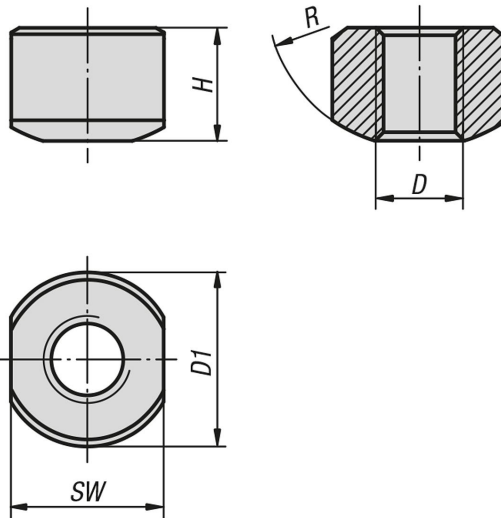
Steel black oxidised.

Stainless steel bright.

**Drawing reference:**

1) Weldable

## Drawings



## Overview of items

| Order No. steel | Order No. stainless steel | D   | H    | D1   | SW   | R  |
|-----------------|---------------------------|-----|------|------|------|----|
| 05990-04        | 05990-104                 | M4  | 5,2  | 8    | 7    | 7  |
| 05990-05        | 05990-105                 | M5  | 6,7  | 10   | 9    | 9  |
| 05990-06        | 05990-106                 | M6  | 9,5  | 13,5 | 12,2 | 10 |
| 05990-08        | 05990-108                 | M8  | 12,8 | 18   | 15,3 | 12 |
| 05990-10        | -                         | M10 | 12,1 | 20   | 18,2 | 14 |
| 05990-12        | -                         | M12 | 14,8 | 23   | 20   | 16 |

