

Item description/product images



Description

Material:

Lever and foot 1.0301 mild steel.  
Hinge pins and hooks 1.0501 carbon steel.

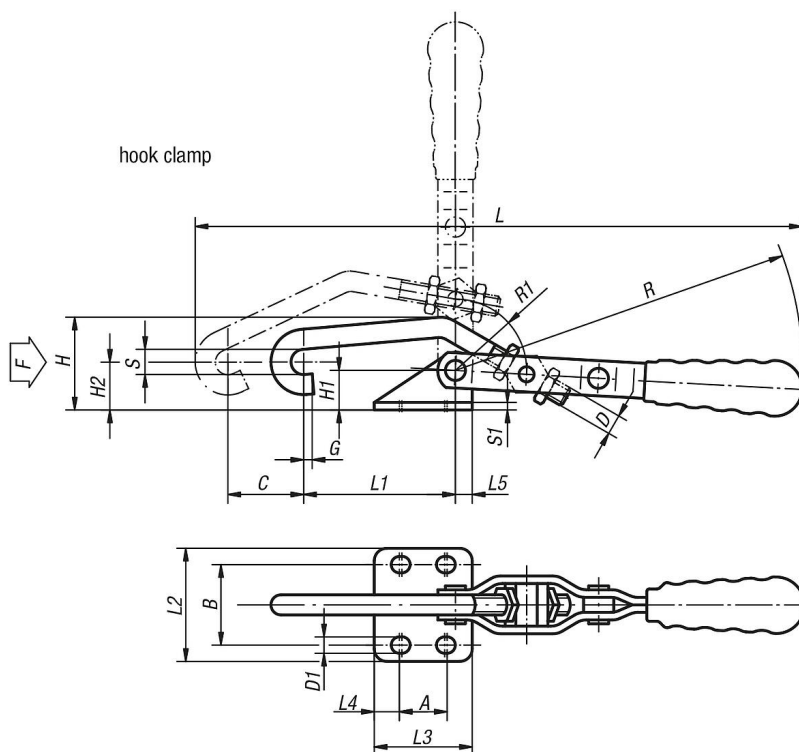
Version:

Steel parts electro zinc-plated.  
Hinge pins and hook tempered.  
Grip plastic, oil-resistant.

Note:

The hook clamp has to be rotated in order to change the position of the base plate.

Drawings



Overview of items

Order No.	L	L1	L2	L3	L4	L5	B	H	H1	H2	A min.	A max.	C	D	D1	G	R	R1	S	S1	F kN	Plastic grips
05080-01	231	60	45	39	10	7	32	36	16	17	17	19	25	M8	6,5	3	151	29	10	3	1	05200-115
05080-03	349	90	68	50	9	10	45	64	30	31	30	32	30	M12	8,5	5	215	36,5	14	4	3	05200-135