

Item description/product images

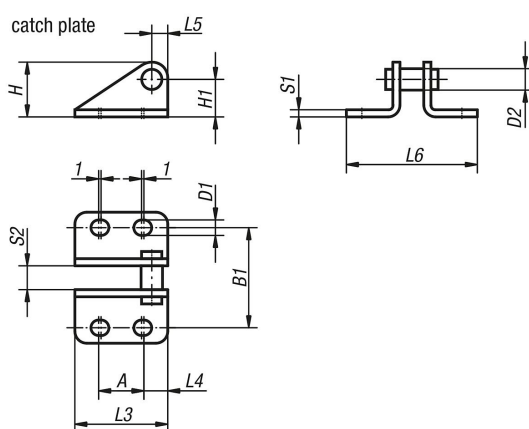


Description

Material:
Steel 1.0301.

Version:
Steel parts electro zinc-plated.

Drawings



Overview of items

Order No.	L3	L4	L5	L6	B1	H	H1	A min.	A max.	D1	D2	S1	S2
05080-011	39	10	7	55	42	23	16	17	19	6,5	9	3	10
05080-031	50	9	10	82	59	40	30	30	32	8,5	13	4	14