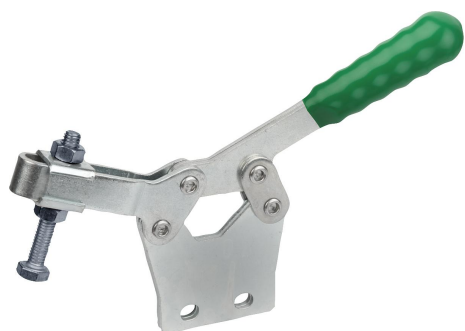


Item description/product images



Description

Material:

Steel plate DD11 1.0332.

Version:

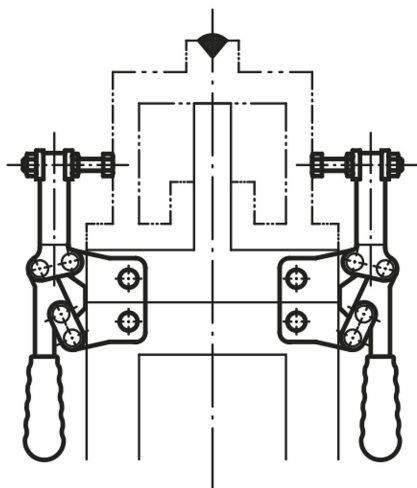
Steel parts electro zinc-plated.

Hinge pins tempered.

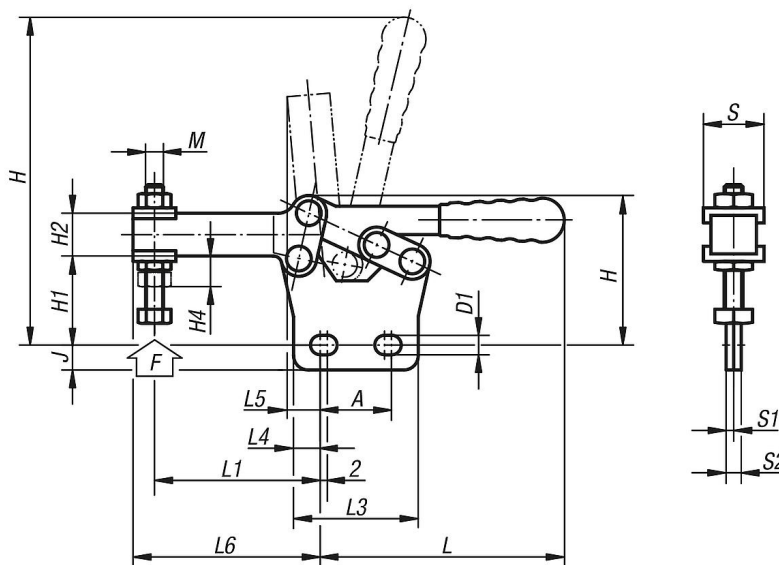
Plastic handle oil-resistant.

Note:

See 05200 – 05280 for accessories.



Drawings



Overview of items

Order No.	L	L1 min.	L1 max.	L3	L4	L5	L6	H min.	H max.	H1	H2	H4	A min.	A max.	M=clamping spindle	D1	J	S	S1	S2	F kN	Plastic grips
05130-05	76	18	39	35	7,5	9,5	44	42	87	24	12	9	16	20	M5x35	6	7	14	2	4	0,8	05200-200
05130-06	106	26	51	45	8,5	11,5	60	58	124	36	14	10,5	24	28	M6x48	6	6,5	17	3	6	1	05200-205
05130-08	140	34	74	55	13,5	19	82	74	154	46,5	16	14	24	28	M8x60	7	8	20	3	6	2,3	05200-210
05130-10	172,5	40	90	65	10,5	20	100	96	205	65	20	16,5	40	44	M10x70	9	9	23	3,5	7	3,5	05200-215

Overview of items

Order No.	L	L1 min.	L1 max.	L3	L4	L5	L6	H min.	H max.	H1	H2	H4	A min.	A max.	M=clamping spindle	D1	J	S	S1	S2	F kN	Plastic grips
05130-12	215	54	113	80	18	25,5	130	112	260	73	24	19	40	44	M12x80	9	12	26	4	8	4,6	05200-220