

Item description/product images



Description

Material:

Screw and thrust pad steel.

Version:

Screw black.

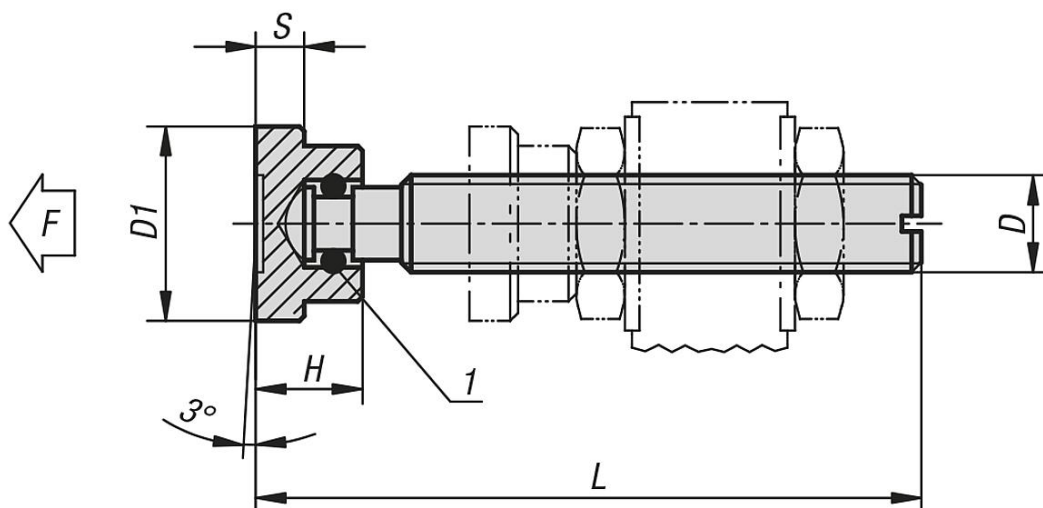
Thrust pad black oxidised.

Screw pin and thrust pad case-hardened.

Drawing reference:

1) snap ring

Drawings



Overview of items

Order No.	L	H	D	D1	S	F max. kN
05240-06X	32/37/42/52	7	M6	12	2,5	1
05240-08X	38/43/48/53/63	9	M8	16	4	2,3
05240-10X	53,5/58,5/63,5/68,5/83,5	11	M10	20	5	3,5
05240-12X	64,5/69,5/74,5/84,5/104,5	13	M12	25	6	4,6
05240-16X	70,3/75,3/85,3/105,3/130,3	15	M16	32	7	6

