

Item description/product images



Description

Material:

Steel.

Version:

Black oxidised.

Thrust spindle and nuts phosphated.

Hinge pins and hinge bushes case-hardened.

Plastic grip oil-resistant.

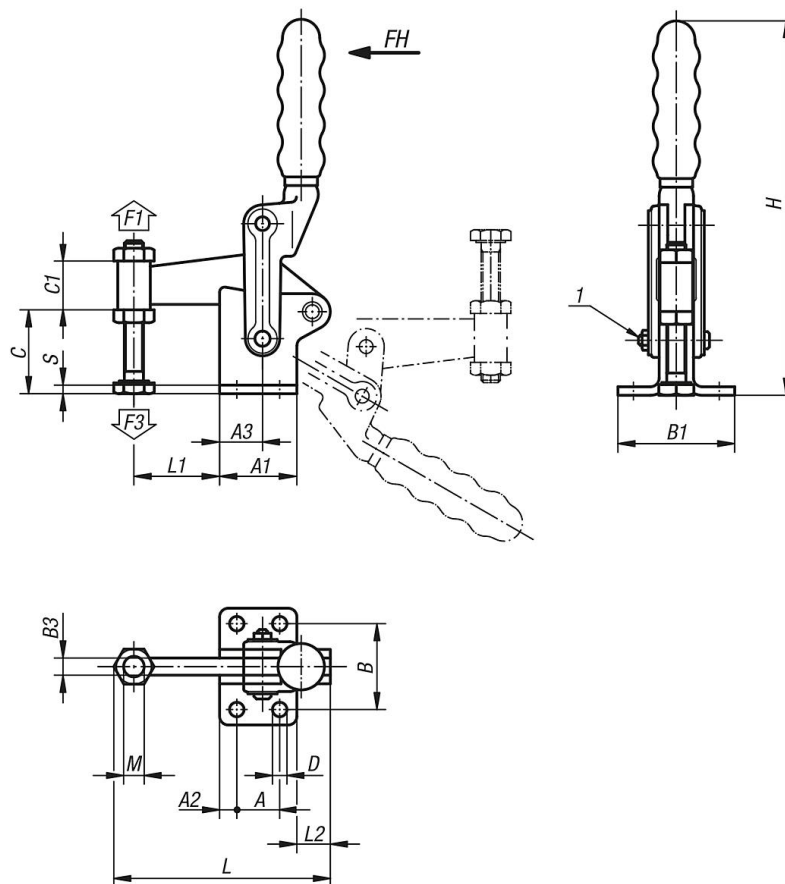
Note:

Oil all joints regularly.

Drawing reference:

1) adjustable clamp arm guide

Drawings



Overview of items

Order No.	Opening angle of holding arm	Opening angle of handle	Hand force FH N	Retaining force F1 N	Clamping force F3 N	Matching plastic grip
05400-02	180°	120°	340	6000	1400	05520-02
05400-04	180°	125°	500	8000	1400	05520-04
05400-06	195°	130°	500	15000	1850	05520-06

Order No.	A	A1	A2	A3	B	B1	B3	C	C1	D	H	L	L1	L2	M	S
05400-02	25	45	10	25	50	68	10	45	30	8,3	215	124	50	20	M12x100	5
05400-04	30	51	10	25	60	86,5	12	58	30	8,3	250	144	60	23	M12x100	6
05400-06	40	64	12	40	75	104	16	70	38	10,3	295	188	75	37	M16x150	8