

Item description/product images



Description

Material:

Steel or stainless steel 1.4301.

Version:

Electro zinc-plated, thick-film passivated and top coat sealed.
Stainless steel, bright.

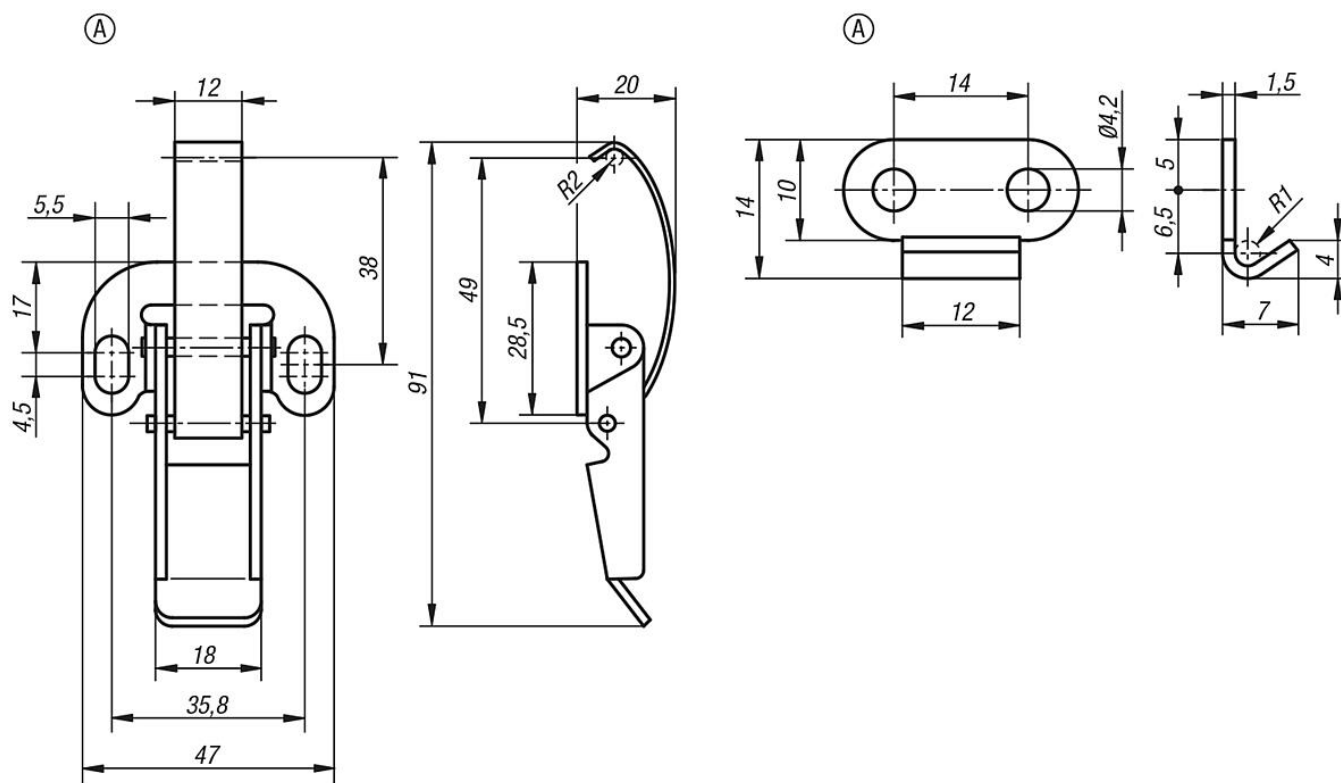
Note:

Latches with spring clips for securing and locking hatches, container lids, machine cladding etc. By exceeding the dead centre they resist vibration. The locking force is applied by tensioning a spring clip.

The latches can be screwed down or riveted. We recommend using countersunk screws for fastening the components.

Order catch plates separately.

Drawings



Overview of items

Latches with spring clip

Order No. steel	Order No. stainless steel	Form
05526-1550911	05526-1550912	A

Catch plate

Overview of items

Order No. steel	Order No. stainless steel	Form
05526-91420141	05526-91420142	A