

## Item description/product images



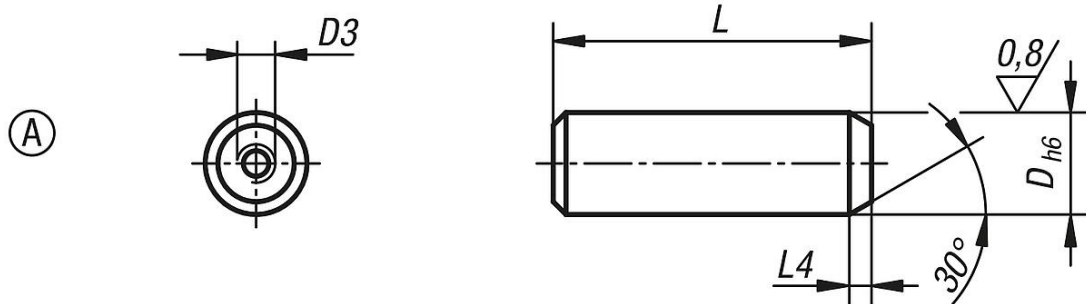
## Description

**Material:**  
Tool steel.

**Version:**  
Hardened and ground (HRC 56 +2).

**Note:**  
The locating pins can be easily removed with an extractor.

## Drawings



## Overview of items

Order No.	Form	D	D3	L	L4
03105-08	A	8	M3	25	3
03105-10	A	10	M3	30	3
03105-12	A	12	M5	34	4
03105-16	A	16	M5	42	4
03105-20	A	20	M5	47	5
03105-25	A	25	M5	49	5